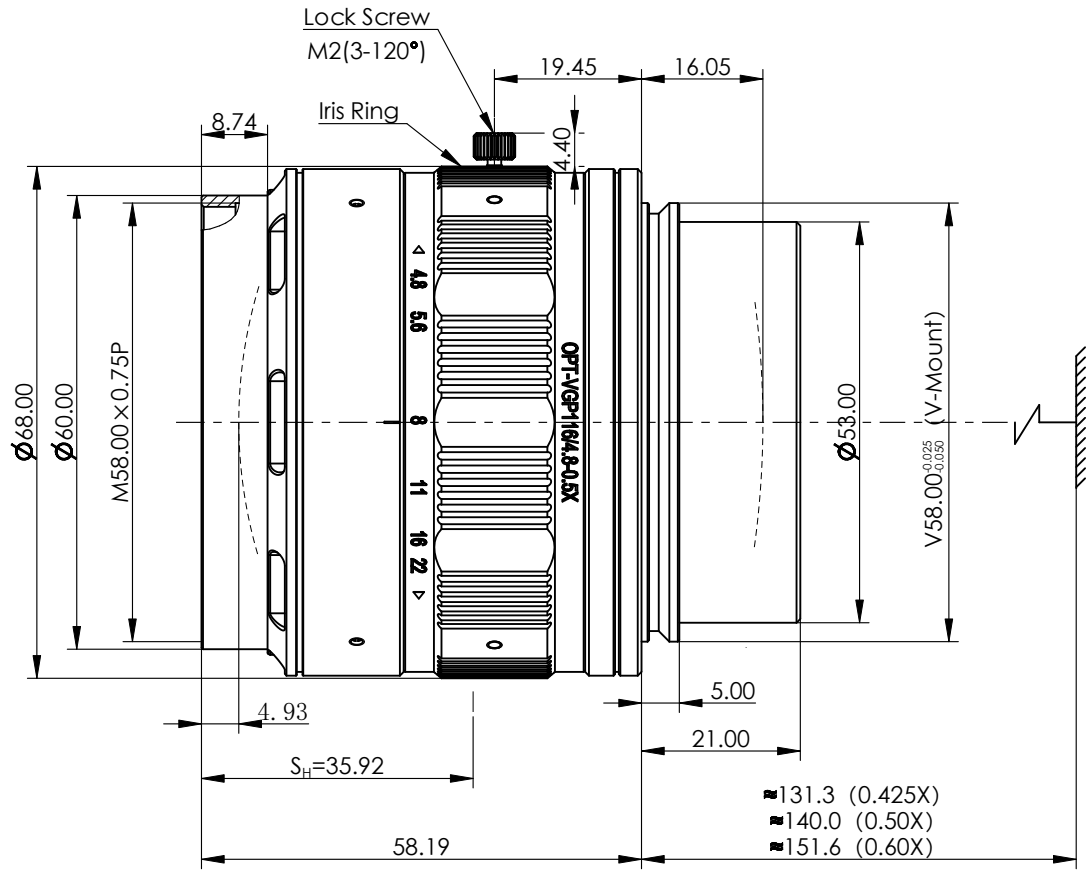


Optical Specification			
Model	OPT-VGP116/4.8-0.5X-V2.0		
Focal Length	116		
F NO.	F4.8-F22		
Image Circle	82		
Mount	V58		
Size	∅68.00×58.19		
Filter Size	M58×P0.75		
Weight	0.52Kg		
Working temperature	-20°C-60°C		
Distortion (%)	0.122	0.028	0.090
Magnification	0.425X	0.50X	0.60X
Working Distance	353.0	312.1	273.4
Focal Flange Distance	131.3	140	151.6
O/I Distance	542.5	510.3	483.2



View Angle		Remark	Item	Signature	Date	 OPT Machine Vision Co., Ltd.				
			Drawing							
Standard Different	IT14	Design								
		check								
		Approve								
Copyright (C) 2013 by OPT All Rights Reserved			Paper Size	A4		OPT-VGP116/4.8-0.5X-V2.0				
Drawing Code		Revised Date	2019.07.05		Scale		1:1	Page	1/1	Version

A

B

C

D