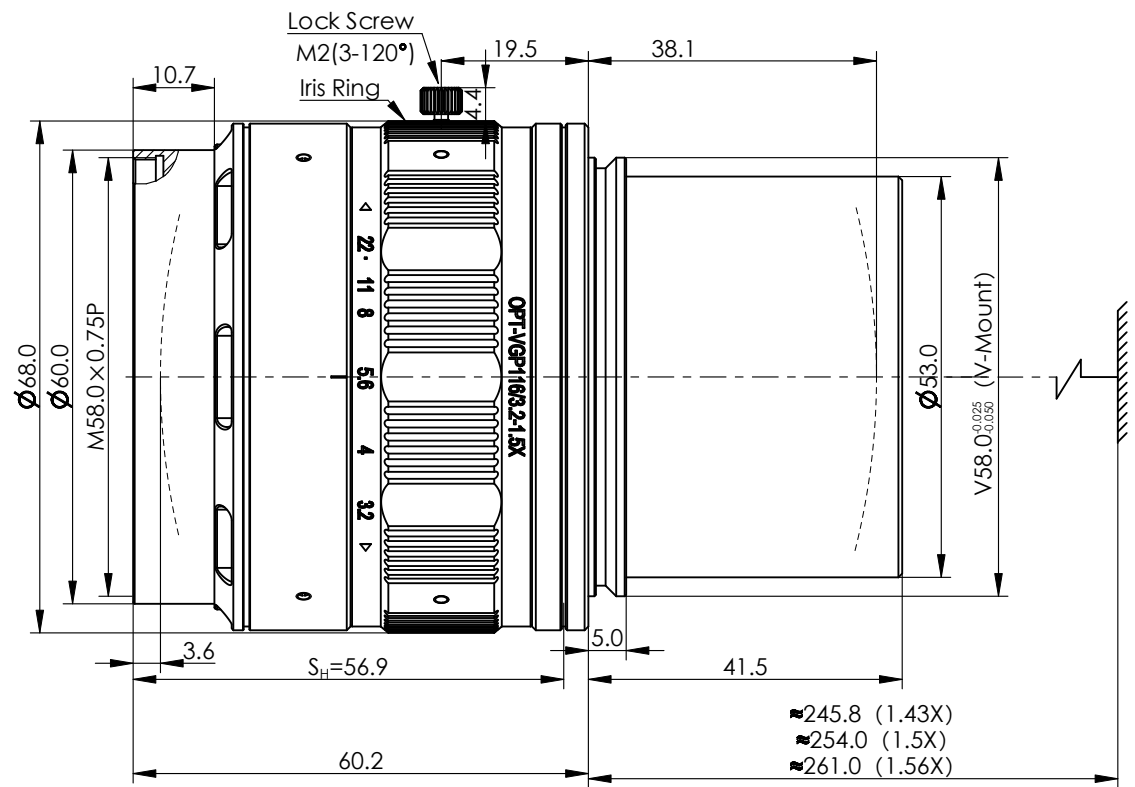


Optical Specification			
Model	OPT-VGP116/3.2-1.5X-V1.0		
Focal Length	116		
F NO.	F3.2-F22		
Image Circle	82		
Mount	V58		
Size	∅68×60.2		
Filter Size	M58×P0.75		
Working temperature	-20°C-60°C		
Distortion (%)	0.058	0.018	0.023
Magnification	1.43X	1.5X	1.56X
Working Distance	140.2	136.4	133.4
Focal Flange Distance	245.8	254	261
O/I Distance	446.2	450.6	454.3



View Angle		Remark	Item	Signature	Date	 OPT Machine Vision Co., Ltd.				
			Drawing							
Standard Different	IT14	Design								
		check								
		Approve								
Copyright (C) 2013 by OPT All Rights Reserved			Paper Size	A4		OPT-VGP116/3.2-1.5X-V1.0				
Drawing Code		Revised Date	2019.07.05		Scale		1:1	Page	1/1	Version

A

B

C

D