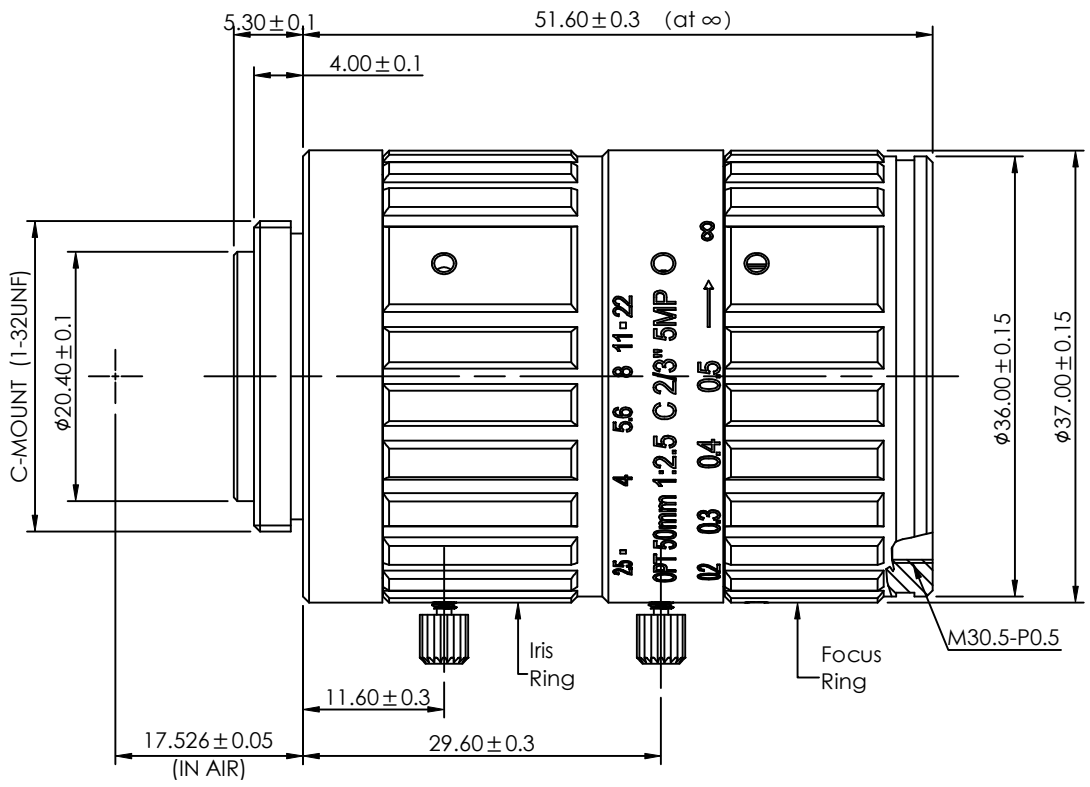


A		B		C		D	
Optical Specification							
Model		OPT-C5025-5M-V1.1					
Resolution		5M Pixel					
Mount		C Mount					
Sensor		2/3"					
Focal Length		50mm					
Pixel Size		3.45μm					
Adjustion Type		Manual					
F NO.		F2.5-F22					
Field Angle	2/3" (Diagonal)	12.5°					
	2/3" (Horizontal)	10°					
	2/3" (Vertical)	7.6°					
	1/2" (Diagonal)	9.2°					
	1/2" (Horizontal)	7.3					
	1/2" (Vertical)	5.5°					
Distortion		< 0.1%					
Back Focal Length		13.185mm					
Size		Ø37 × 51.6mm					
Filter		M30.5 × 0.5					
Working Temperature		-20°C ~ +60°C					



3	
---	--

4	
---	--

View Angle		Remark	Item	Signature	Date	 OPT Machine Vision Co.,Ltd.	
Standard Difference			Drawing				
			Design				
			Check				
			Approve				
Copyright © 2011 by OPT All Rights Reserved	IT14		Paper Size	A4		OPT-C5025-5M-V1.1	
Drawing Code	KDBZ20171121K05014		Revised Date	2017-10-14	Scale		1:1
					Page	1/1 Total Page	Version