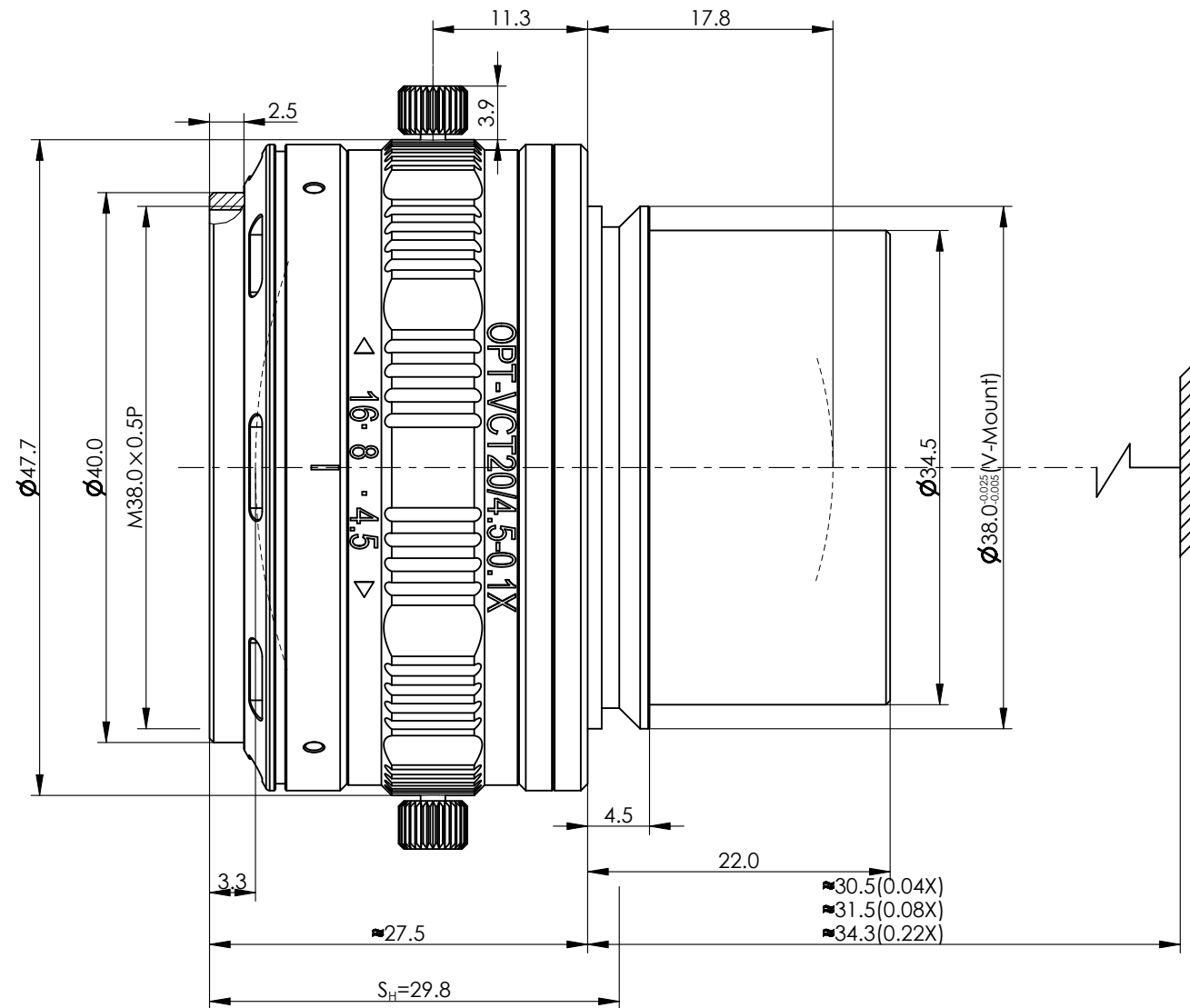


Optical Specification			
Model	OPT-VCT20/4.5-0.1X-V1.0		
Focal Length	21		
F NO.	F4.5-F16		
Image Circle	30		
Mount	V38		
Size	∅47.7×27.5		
Filter	M38×P0.5		
Working temperature	-20℃-60℃		
Distortion	0.20	0.60	0.95
Magnification	0.04X	0.10X	0.22X
Working Distance	510.7	206.2	90.7
Flange Back Length	30.5	31.8	34.3
IO Distance	568.7	265.5	152.5



View Angle	Remark	Item	Signature	Date
		Drawing		
Standard Different		Design		
		check		
		Approve		
		Paper Size	A4	
		Revised Date	2019.06.06	

		OPT Machine Vision Co., Ltd.			
OPT-OPT-VCT20/4.5-0.1X					
Scale	2:1	Page	1/1	Version	V1.0

Copyright (C) 2019 by OPT All Rights Reserved	
Drawing Code	KDPA20181106K04001

A

B

C

D