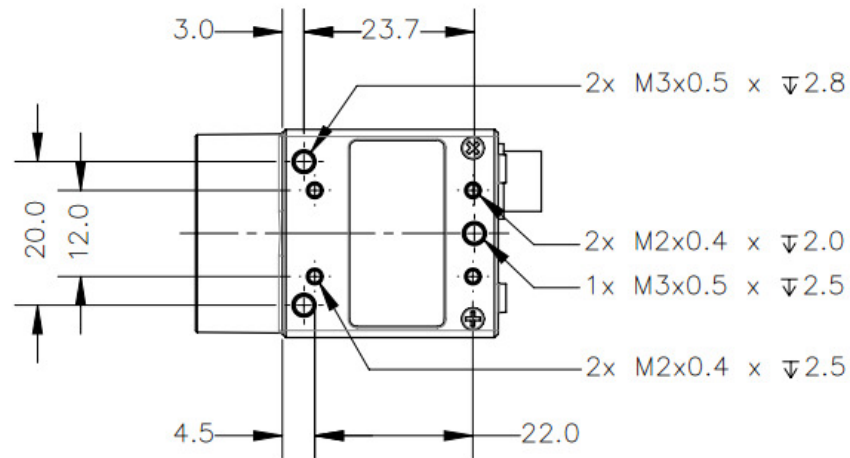
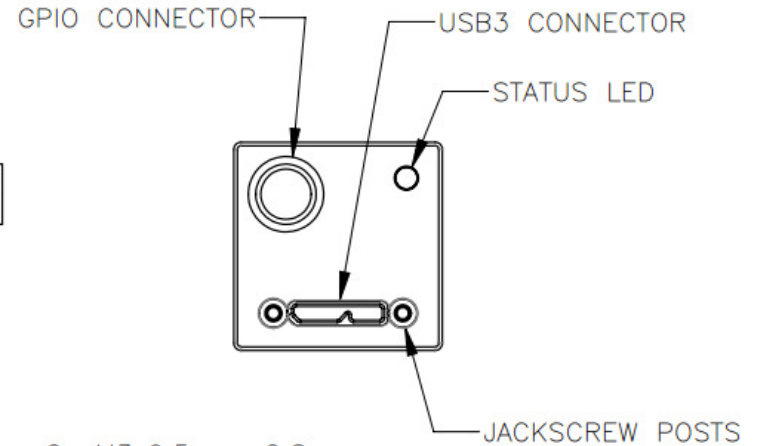
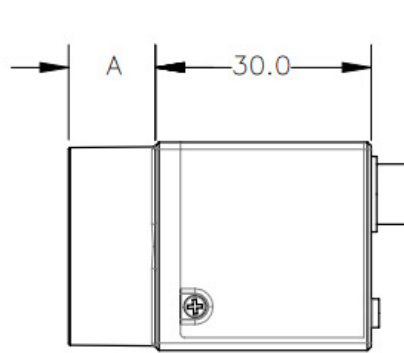
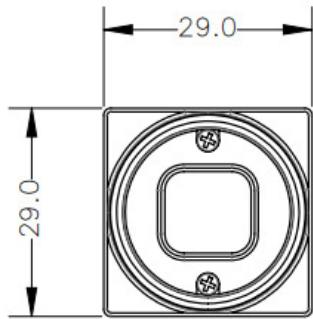
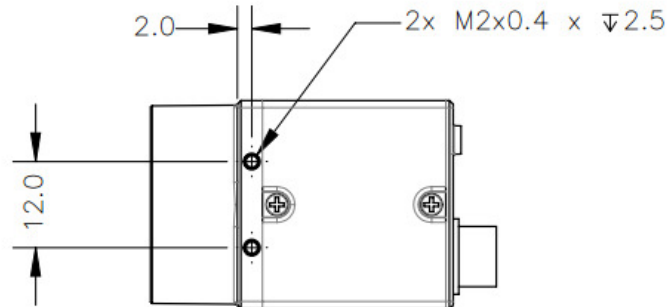
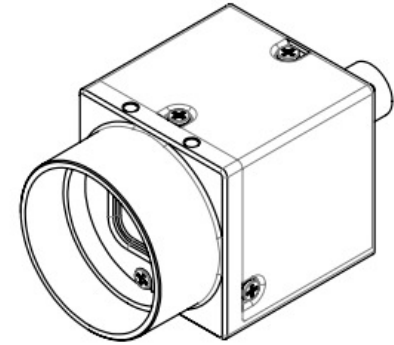


REVISIONS			
REV.	DESCRIPTION	DATE	DONE BY
0	INITIAL RELEASE	28.MAR.12	GUS
1	ADDED C-MOUNT E2V SENSOR	09.NOV.12	GUS



BARREL LENGTH - "A"  
Refer to Technical Reference Manual