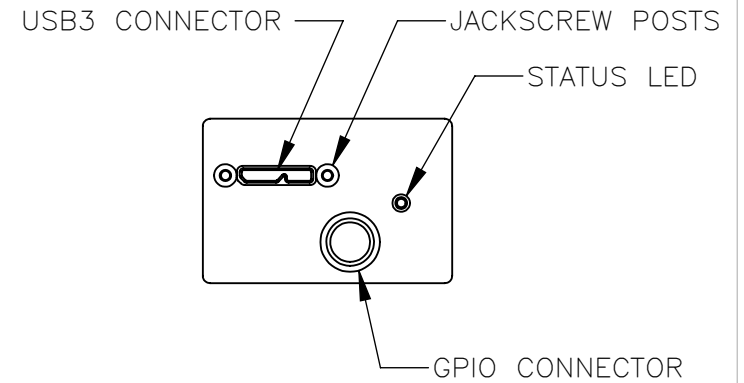
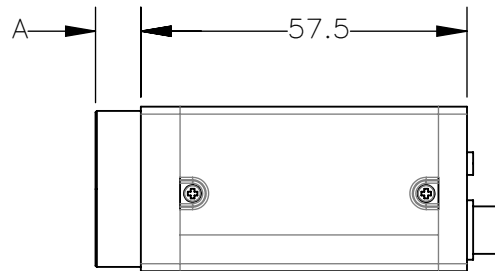
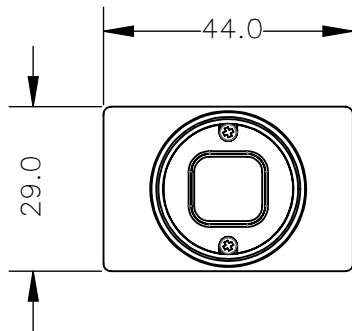
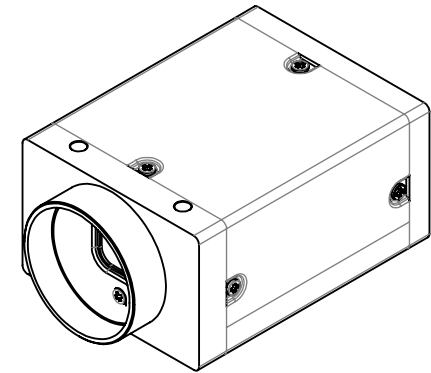
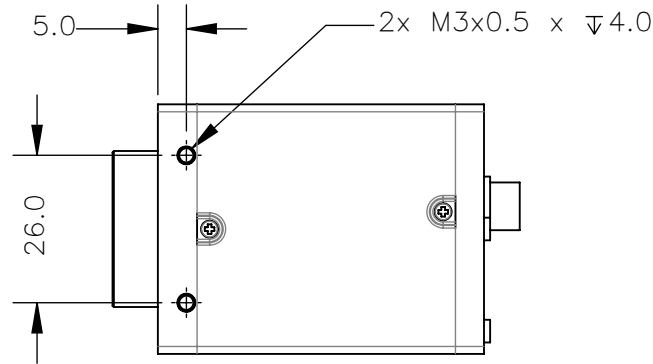
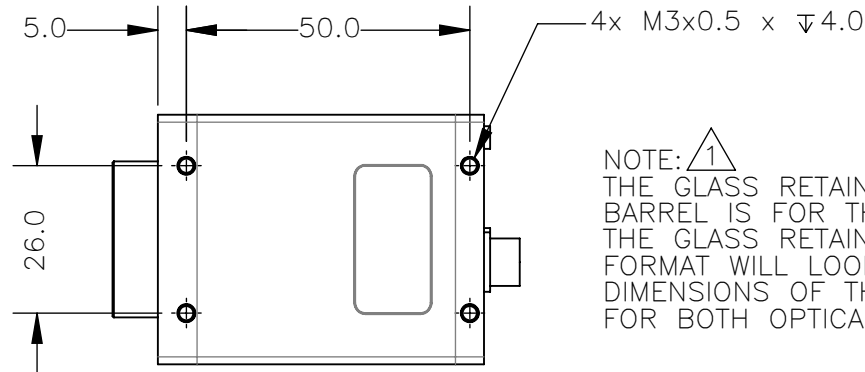
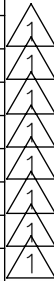



REVISIONS			
REV.	DESCRIPTION	DATE	DONE BY
0	INITIAL RELEASE	12.FEB.13	GUS
1	ADDED ICX625/808/674/694/814/285/4000 & IMX174, ADDED NOTE	20.DEC.13	GUS



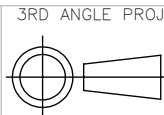
BARREL LENGTH - "A"		
SENSOR	C-MOUNT	CS-MOUNT
ICX687	8.000	-
ICX625	8.000	-
ICX808	8.000	-
ICX674	8.400	-
ICX694	8.400	-
ICX814	8.400	-
ICX285	8.000	-
IMX174	7.480	-
CMV4000(SMT)	8.342	-



NOTE:  THE GLASS RETAINER SHOWN INSIDE THE LENS BARREL IS FOR THE 2/3" OPTICAL FORMAT. THE GLASS RETAINER FOR THE 1" OPTICAL FORMAT WILL LOOK SLIGHTLY DIFFERENT. THE DIMENSIONS OF THE CAMERA ARE THE SAME FOR BOTH OPTICAL FORMATS.



PROPRIETARY AND CONFIDENTIAL  
THE INFORMATION CONTAINED IN THIS DRAWING IS THE SOLE PROPERTY OF POINT GREY RESEARCH INC. ANY REPRODUCTION IN PART OR WHOLE WITHOUT THE WRITTEN PERMISSION OF POINT GREY RESEARCH INC. IS PROHIBITED.



TOLERANCES	
X.X	±0.3
X.XX	±0.10
X.XXX	±0.020
ANGLES	±0.5°

UNLESS OTHERWISE STATED:  
ALL DIMENSIONS IN MM  
MACHINE FINISH 1.6µM

SCALE	DWG NO
3:4	GSR-002-R1
SIZE	TITLE
A	GRASSHOPPER USB3

SHEET	REV
1 OF 3	1