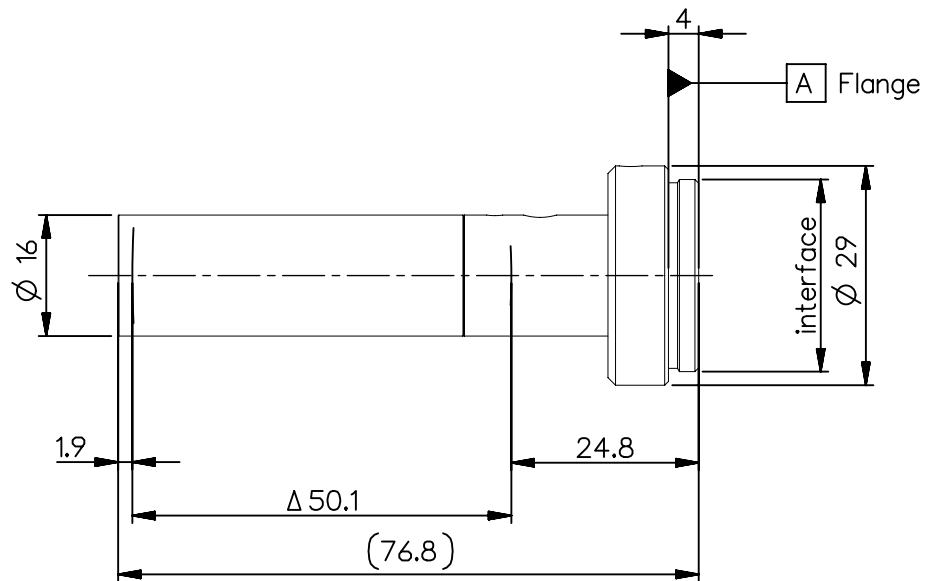


order number	lens name	f-stop
0009-193-000-40	Macro-CCD-Lens -2x	4.4



Specification		ON	
image circle max. (mm)	11	working distance (mm)	75
focal length $f'$ (mm) *	25.6	interface	C-mount
magnification $\beta'$ [range]	-2	filter thread	-
spectral range $\lambda$ (nm)	400 - 750	weight (g)	40

schematic diagram		*) in air	
		design includes CCD cover glass: no	
SF (mm)	13.2	f-stop	
S'F' (mm) *	-12.3	$\varnothing$ EnP	
HH' (mm) *	-26.6	$\varnothing$ Exp	
SH (mm)	38.8		
S'H' (mm) *	-37.9		
SEnP (mm)			
S'Exp (mm) *			

NX	EU-D		AL-T1A		US-D		US-ML		not export controlled		
	PDM Status		Freigabe						-		
	REV	ECC	DATE	APPROVED	GENERAL TOLERANCE OF DIMENSION, FORM, POS.	SURF. TREATMT	SCALE 1:1				
	c	Neuausg	17.09.14	Schiffe			MATERIAL				
BASIC TOLERANCING PRINCIPLE						TITLE					
						Macro-CCD-Lens 2x					
FIRST						DATE		NAME			
ISSUE						17.09.14		Schifferer			
CHKD						17.09.14		Stauder			
DIN A 4						ALL DIMENSIONS ARE IN MM AND INCLUDE SURFACE TREATMENT					
						DRAWING NO.		0009-193-100-40-0001c		SHEET 1 OF 1	
						REPLACES					