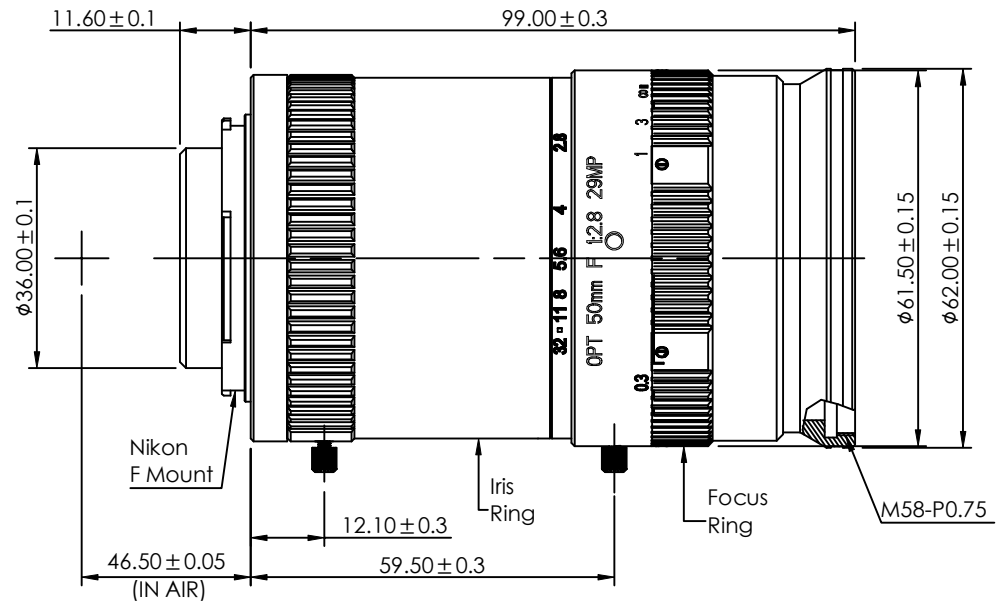


A		B		C		D	
Optical Specification							
Model		OPT-F5028-29M-V1.0					
Resolution		29M Pixel					
Mount		F Mount					
Focal Length		50mm					
Working Distance		0.18m~∞					
Adjustion Type		Manual					
f-stops		F2.8					
F NO.		F2.8-F32					
Field Angle	H=44mm	47.8°					
	H=35mm	38.8°					
	H=23mm	26°					
	H=16mm	18.2°					
	H=11mm	12.6°					
	H=8.0mm	9.1°					
Distortion		< 0.2%					
Back Focal Length		36.1mm					
Size		Ø62×99mm					
Filter		M58×0.75					
Working Temperature		-20°C~+60°C					



View Angle			Remark	Item	Signature	Date	OPT Machine Vision Co.,Ltd.			
Standard Difference				Drawing						
Copyright © 2011 by OPT All Rights Reserved		IT14	Design			Scale 1:1 Page 1/1 Total Page Version				
Drawing Code			KDBZ20171121K05024	Check						
			Approve			Paper Size A4				
			Paper Size	A4						Revised Date 2017-10-14
			Revised Date	2017-10-14		Scale 1:1 Page 1/1 Total Page Version				