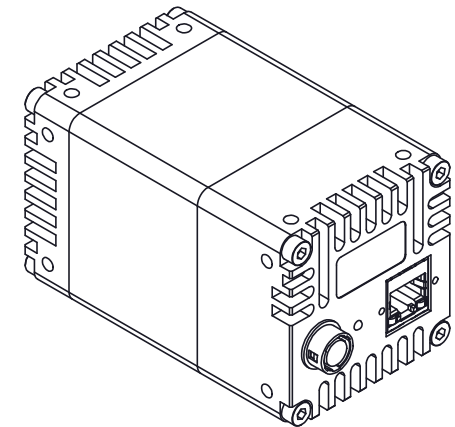
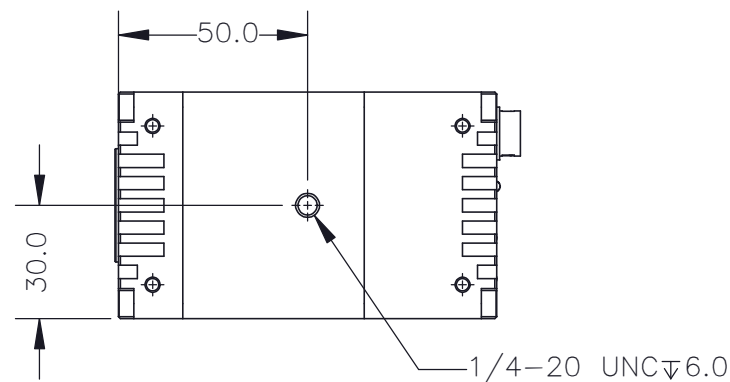
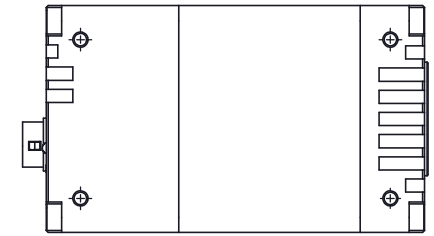
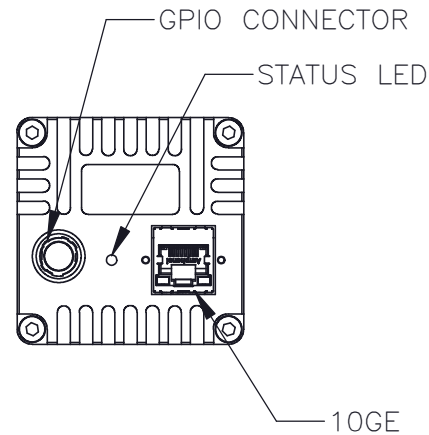
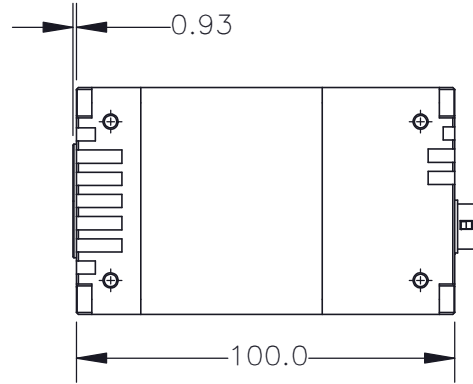
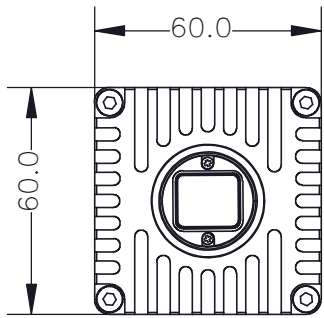
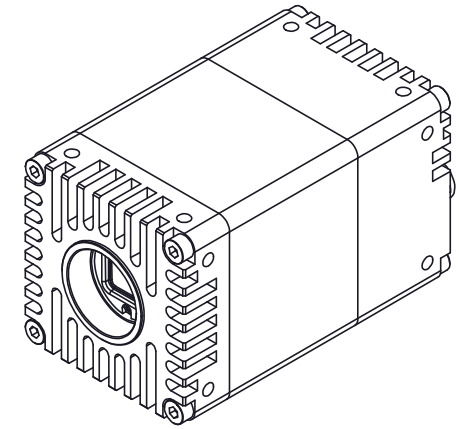
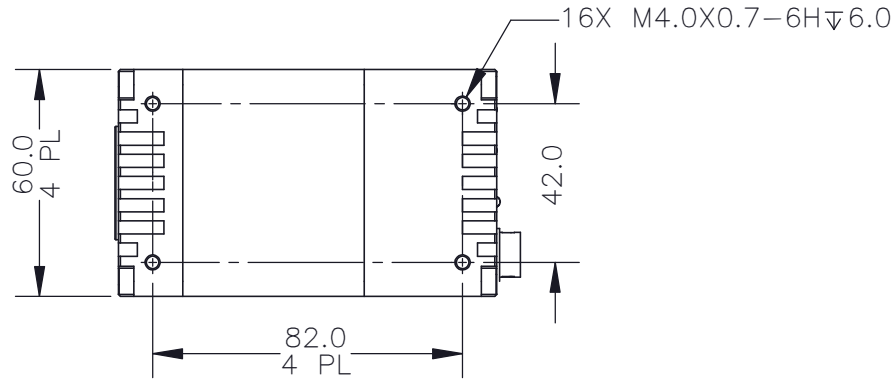
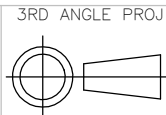


REVISIONS			
REV.	DESCRIPTION	DATE	DONE BY
0	INITIAL RELEASE	04.APR.17	DANIEL



PROPRIETARY AND CONFIDENTIAL
 THE INFORMATION CONTAINED IN THIS DRAWING IS
 THE SOLE PROPERTY OF FLIR INTEGRATED IMAGING
 SOLUTIONS. ANY REPRODUCTION IN PART OR
 WHOLE WITHOUT THE WRITTEN PERMISSION OF FLIR
 INTEGRATED IMAGING SOLUTIONS IS PROHIBITED.



TOLERANCES	
X.X	±0.3
X.XX	±0.10
X.XXX	±0.020
ANGLES	±0.5°

UNLESS OTHERWISE
 STATED:
 ALL DIMENSIONS IN MM
 MACHINE FINISH 1.6µM

SCALE	DWG NO
1:1	ORYX-001-R0
SIZE	TITLE
A	ORXY C-MOUNTING

SHEET	REV
1 OF 3	0