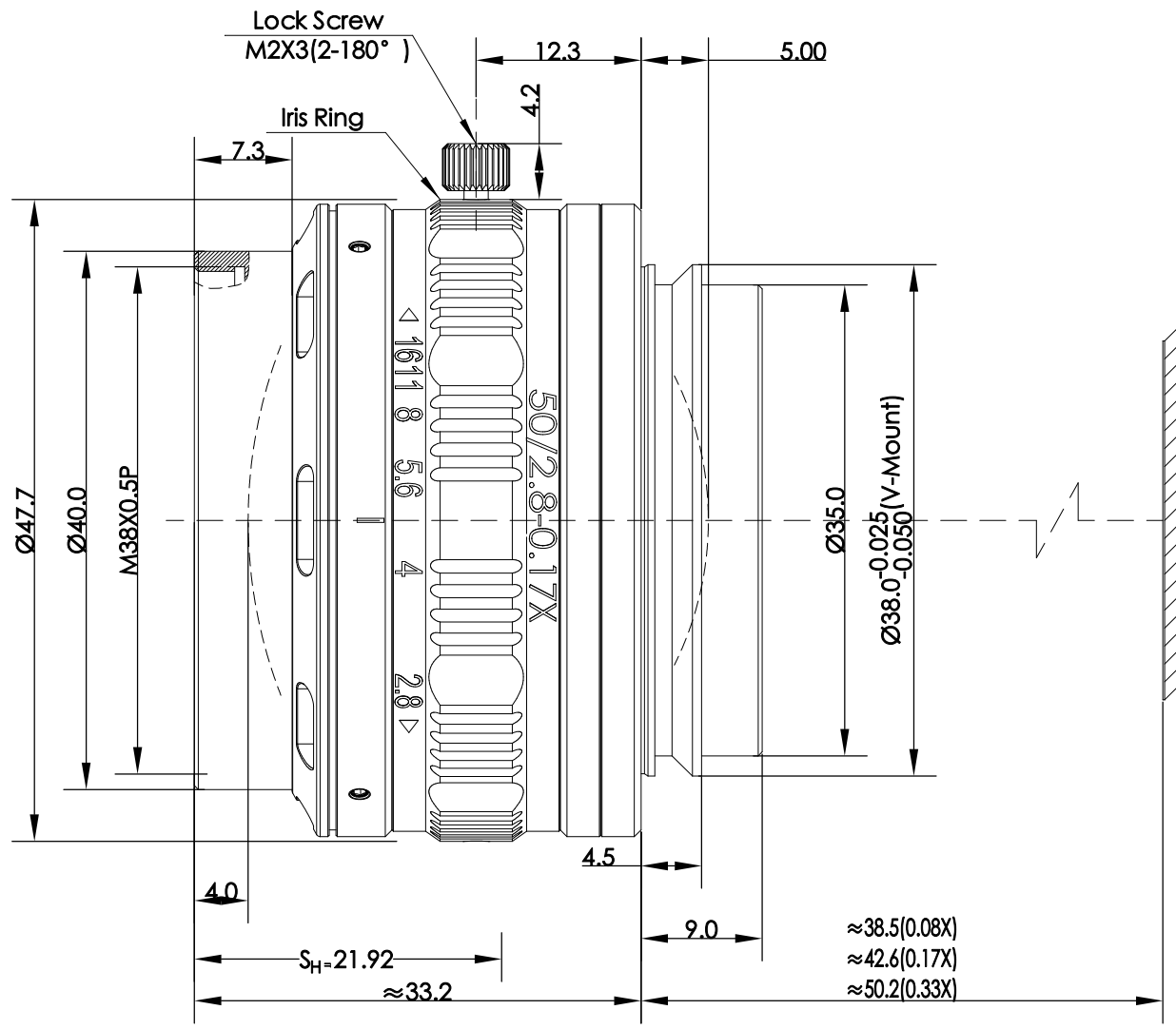



Optical Specification			
Model	OPT-VCT50/2.8-0.17X-V1.0		
Focal Length	50		
F NO.	F2.8-F32		
Image Circle	44		
Mount	V38		
Weight	0.15kg		
Size	Ø47.7 × 33.2		
Filter	M38 × 0.5P		
Working Temperature	-20° C ~ 60° C		
Distortion	0.31	0.08	0.29
Magnification	0.08X	0.17X	0.33X
Working Distance	632	328.9	183.8
Flange Back Length	38.5	42.6	50.2
IO Distance	704.1	405.1	267.6



View Angle	Remark	Item	Signature	Date
		Drawing		
Standard Difference		Design		
		Check		
		Approve		
		Paper Size	A4	
		Revised Date	2017-11-17	


OPT Machine Vision Co.,Ltd.

OPT-VCT50/2.8-0.17X-V1.0

Scale	3:2	Page	1/1 Total Page	Version	V1.0
-------	-----	------	----------------	---------	------

Copyright © 2011 by OPT
All Rights Reserved

Drawing Code: **KDPA20180720K06005**

IT14