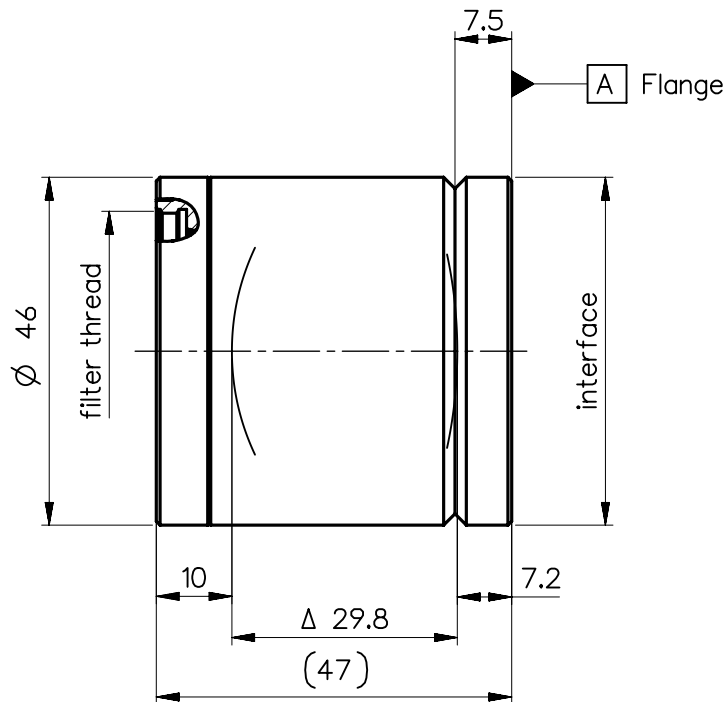


order number	lens name
0703-109-000-20	Apo-Rodagon HR 0.5x 5.6/75



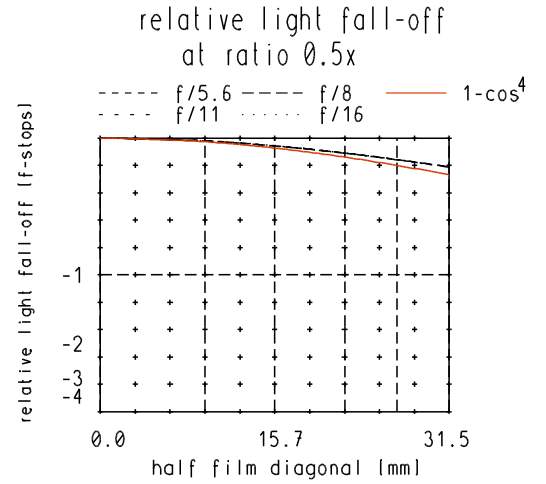
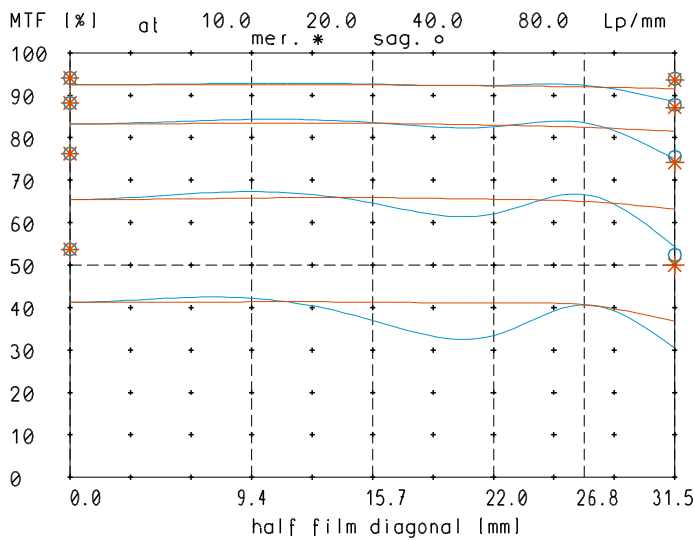
Specification		ON	7608-9111
image circle max. (mm)	62	working distance (mm)	172 - 273
focal length f' (mm) *	76.9	interface	V-groove \varnothing 46 h7
magnification β' [range]	-0.5 [-0.35 ... -0.65]	filter thread	M37 x0.75
spectral range λ (nm)	400 - 750	weight (g)	195

schematic diagram		*) in air		
design includes CCD cover glass:		no		
SF (mm)	-64.1	f-stop	\varnothing EnP	\varnothing Exp
S'F' (mm) *	61.8	5.6	13.7	13.7
HH' (mm) *	1.8			
SH (mm)	12.8			
S'H' (mm) *	-15.1			
SEnP (mm)	12.2			
S'ExP (mm) *	-15.8			

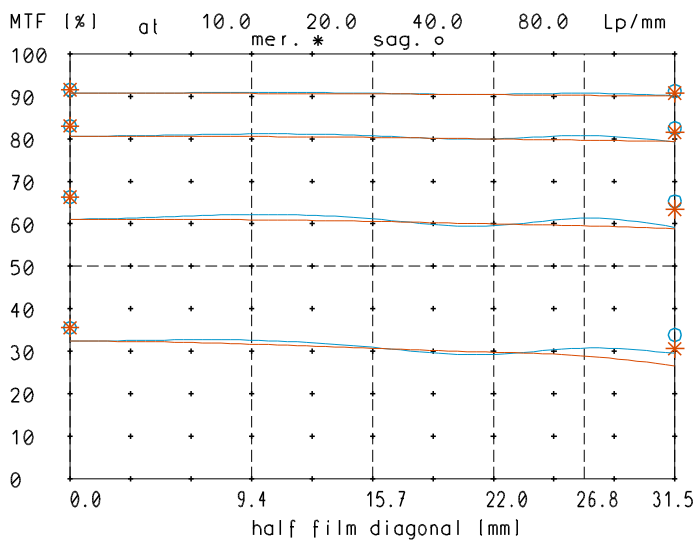
NX PROTECTIVE NOTE "DIN ISO 16016" TO BE OBSERVED	EU-D	AL-T1A	US-D	US-ML	not export controlled	
	REV	ECC	DATE	APPROVED	PDM Status	
	a	Neuausg			Freigabe	-
	b	14-0184	13.11.14	Schiff e	SCALE	1:1
				MATERIAL		
				BASIC TOLERANCING PRINCIPLE ISO 8015		
				TITLE APO-Rodagon HR 0.5x 5.6/75		
				FIRST DATE NAME ISSUE 06.05.10 Labarte CHKD 06.05.10 Schaeffler		
				DRAWING NO. 0703-109-100-00-0001b		
				REPLACES		
DIN A 4	ALL DIMENSIONS ARE IN MM AND INCLUDE SURFACE TREATMENT					
					SHEET 1 OF 1	

Apo-RodagonHR_0.5x

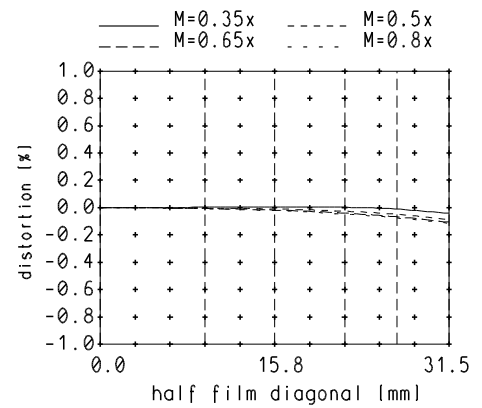
MTF at ratio 0.5x f/ 5.6



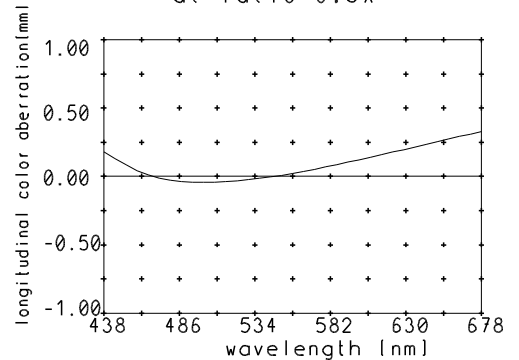
MTF at ratio 0.5x f/ 8



Distortion at ratio 0.35x to 0.8x



Longitudinal color aberration at ratio 0.5x



— sagittal, o Diffraction limited value
— meridional * Diffraction limited value

Named frequencies (line pairs/mm) in modular transfer function (MTF) as well as diagrams of relative light fall-off, distortion and longitudinal color aberration refer to film plane.