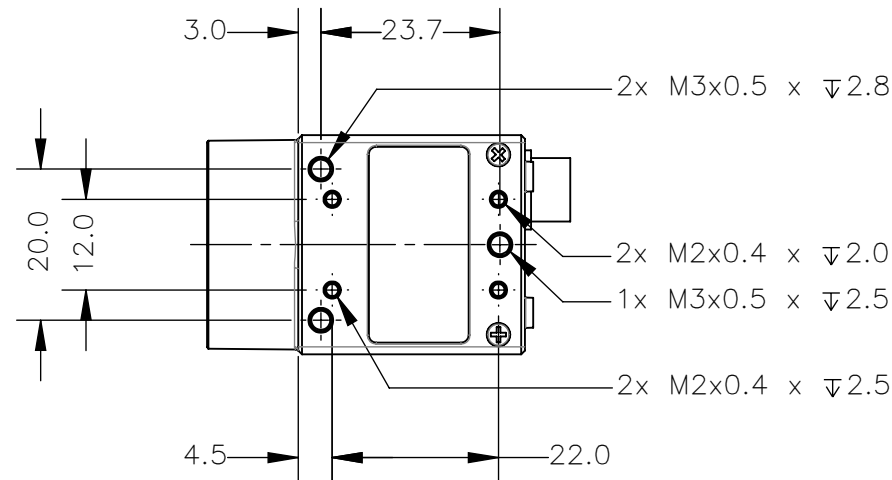
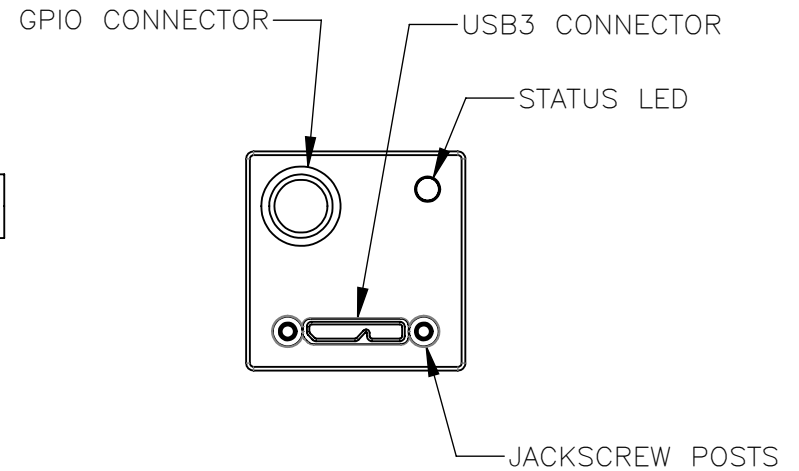
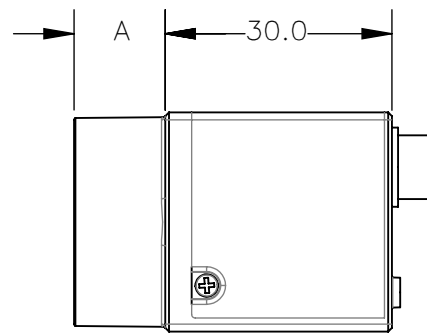
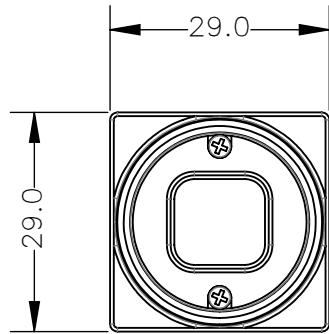
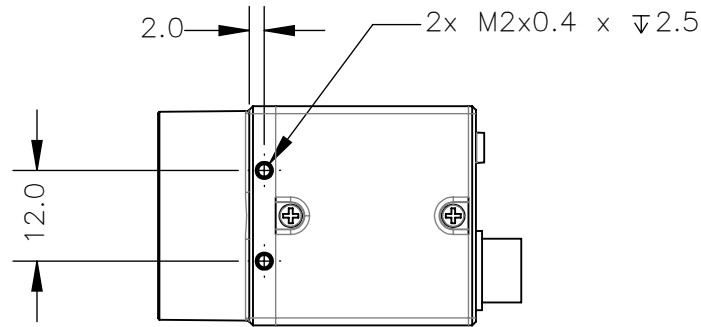
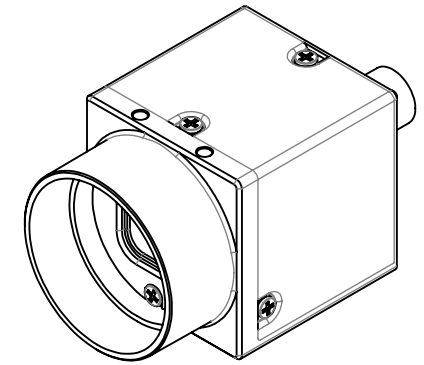


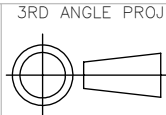
REVISIONS			
REV.	DESCRIPTION	DATE	DONE BY
0	INITIAL RELEASE	28.MAR.12	GUS



BARREL LENGTH - "A"		
SENSOR	C-MOUNT	CS-MOUNT
VITA1300	12.063	-
IMX121	11.744	-
IMX035	-	6.765
IMX036	-	6.765



PROPRIETARY AND CONFIDENTIAL  
 THE INFORMATION CONTAINED IN THIS DRAWING  
 IS THE SOLE PROPERTY OF POINT GREY  
 RESEARCH INC. ANY REPRODUCTION IN PART OR  
 WHOLE WITHOUT THE WRITTEN PERMISSION OF  
 POINT GREY RESEARCH INC. IS PROHIBITED.



TOLERANCES  
 X.X ±0.3  
 X.XX ±0.10  
 X.XXX ±0.020  
 ANGLES ±0.5°

UNLESS OTHERWISE  
 STATED:  
 ALL DIMENSIONS IN MM  
 MACHINE FINISH 1.6µM

SCALE DWG NO  
 1:1 FL2-002-R0  
 SIZE TITLE  
 A FLEA2 USB3

SHEET 1 OF 3  
 REV