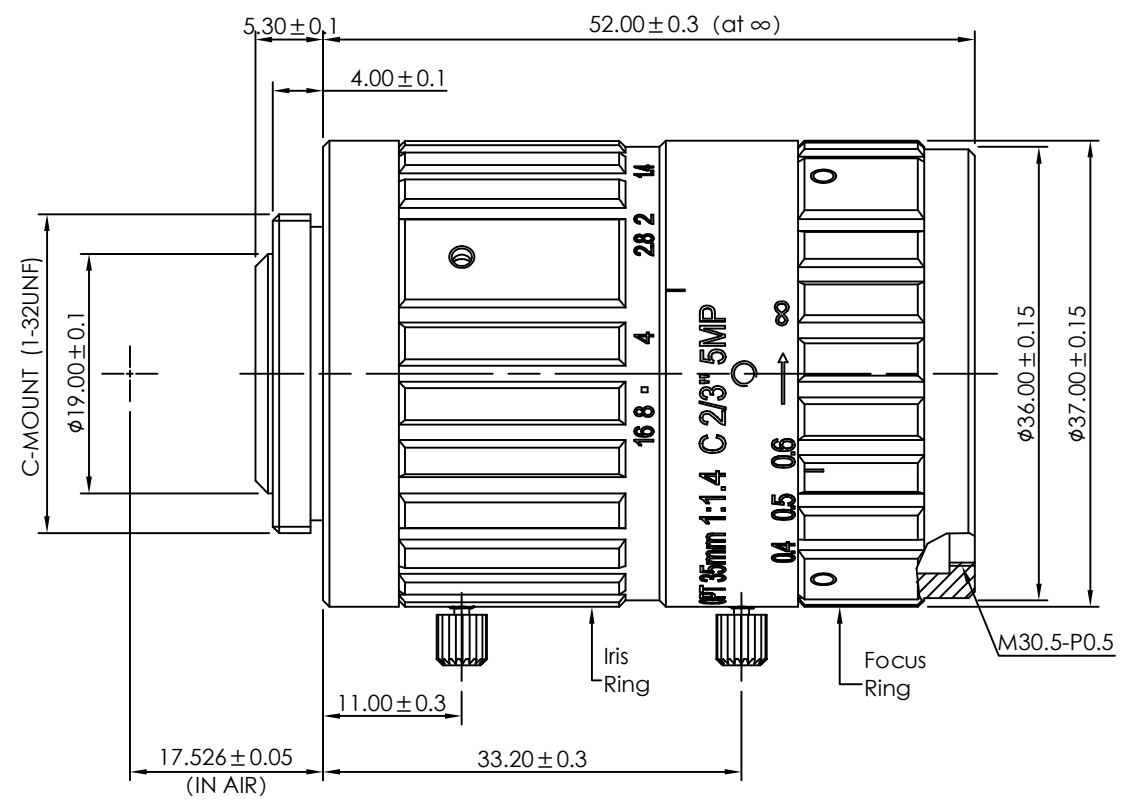



Optical Specification		
Model	OPT-C3514-5M-V1.1	
Resolution	5M Pixel	
Mount	C Mount	
Sensor	2/3"	
Focal Length	35mm	
Pixel Size	3.45μm	
Adjustion Type	Manual	
F NO.	F1.4-F16	
Field Angle	2/3" (Diagonal)	18°
	2/3" (Horizontal)	14.4°
	2/3" (Vertical)	10.8°
	1/2" (Diagonal)	13.2°
	1/2" (Horizontal)	10.6°
	1/2" (Vertical)	8°
Distortion	< 0.1%	
Back Focal Length	12.75mm	
Size	Ø37×52mm	
Filter	M30.5×0.5	
Working Temperature	-20°C~+60°C	



View Angle	Remark	Item	Signature	Date
		Drawing		
Standard Difference		Design		
IT14		Check		
		Approve		
		Paper Size	A4	
		Revised Date	2017-10-14	


OPT Machine Vision Co., Ltd.

OPT-C3514-5M-V1.1

Scale	1:1	Page	1/1 Total Page	Version	
-------	-----	------	----------------	---------	--

Copyright © 2011 by OPT
All Rights Reserved

Drawing Code: KDBZ20171121K05013