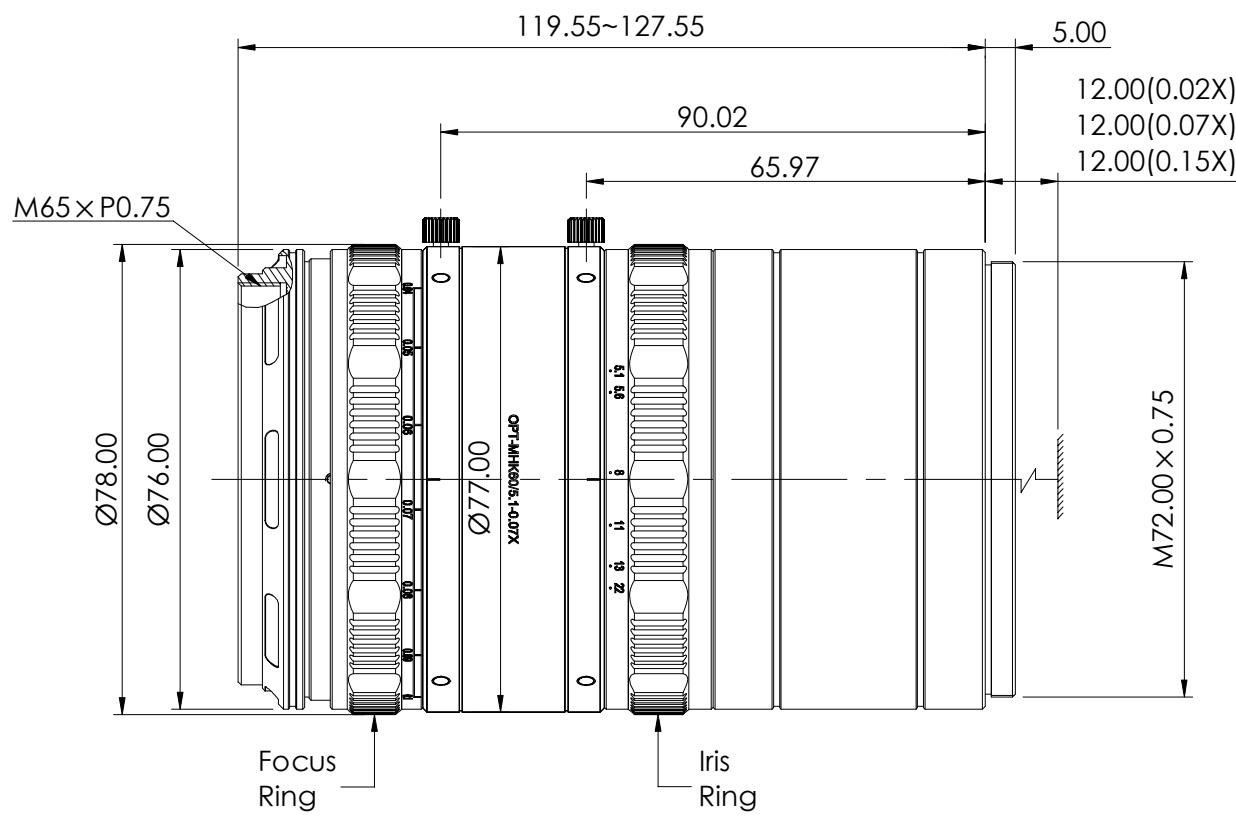


Optical Specification			
Model	OPT-MHK60/5.1-0.07X-V1.0		
Focal Length(mm)	60		
F NO.	F5.1-F22		
Image Circle(mm)	63		
Mount	M72		
Weight	1.06kg		
Size(mm)	Ø78.00×127.55		
Filter Thread(mm)	M65×P0.75		
Working Temperature	-20°C~60°C		
Distortion	0.15%	0.22%	0.28%
Magnification	0.02X	0.07X	0.15X
Working Distance(mm)	3017	874	417
Flange Back Length (mm)	12.0	12.0	12.0
O/I Distance(mm)	3149.8	1009.8	557.6



Unit:mm

View Angle	Remark	Item	Signature	Date
		Drawing		
Standard Difference		Design		
		Check		
		Approve		
		Paper Size	A4	
		Revised Date	2021-01-21	

**OPT** Machine Vision  
OPT Machine Vision Co., Ltd.

OPT-MHK60/5.1-0.07X-V1.0

Scale	Page	1/1 Total Page	Version	A01
-------	------	----------------	---------	-----

Copyright © 2020 by OPT  
All Rights Reserved

Drawing Code

IT14

A

B

C

D