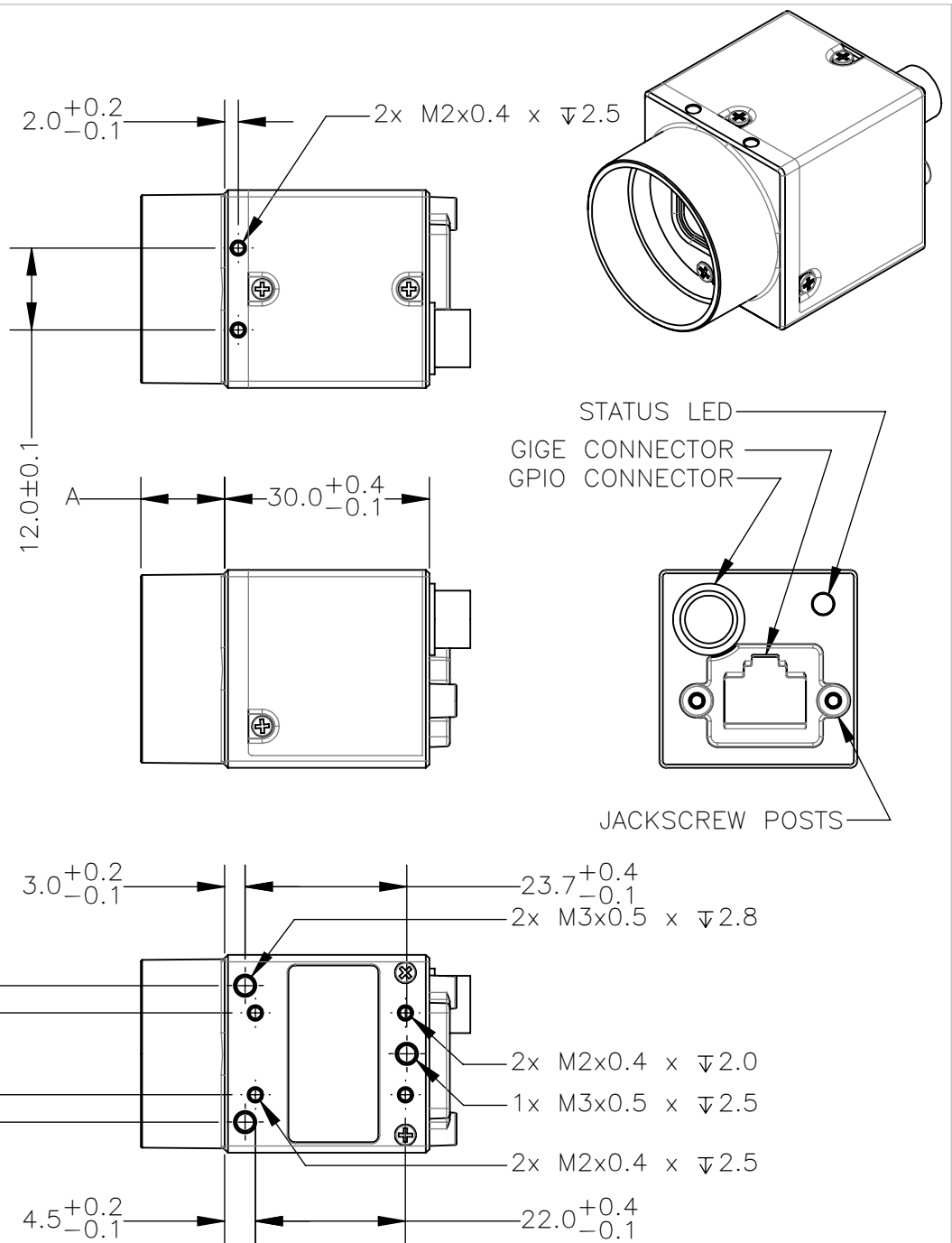
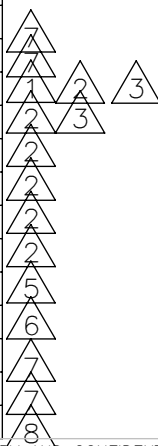
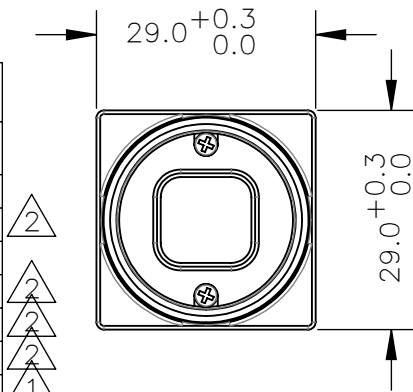
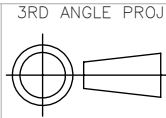


REVISIONS			
REV.	DESCRIPTION	DATE	DONE BY
0	INITIAL RELEASE	28.MAR.12	GUS
1	ADDED CS-MOUNT E2V7C560 SENSOR, AND CS-MOUNT ICX445 SENSOR	09.NOV.12	GUS
2	ADDED CS-MOUNT ICX274, 424, 692, 693, IMX 104, 136, EV76C570, AR0134, APTINA MT9P SENSORS. EV76C560 WAS MIS-SPELLED AS E2V7C560.	05.NOV.13	CHRIS
3	EV76C560 & 570 BARREL LENGTH WAS 7.276 NOW 6.941, BUG 35817	11.FEB.15	CHRIS
4	ADDED TOLERANCE, BUG 31274	02.MAR.14	CHRIS
5	ADDED SHARP RJ32, RT# 252497	22.APR.15	CHRIS
6	ADDED SHARP RJ33, BUG 27160	06.OCT.15	CHRIS
7	ADDED IMX264 & IMX265, ICX414 & ICX618, BUG 27160	04.FEB.16	CHRIS
8	ADDED P1300, BUG 47232	28.MAR.17	CHRIS

BARREL LENGTH - "A" (+0.10/-0.15)		
SENSOR	C-MOUNT	CS-MOUNT
ICX204	12.30	-
ICX424	12.30	7.27
ICX267	12.30	-
ICX274	12.30	7.27
ICX692	-	7.27
ICX693	-	7.27
ICX445	12.30	7.27
ICX655	12.30	-
ICX414	-	7.27
ICX618	12.30	-
EV76C560	-	6.94
EV76C570	-	6.94
IMX104	-	6.72
IMX136	-	6.72
AR0134	-	6.45
MT9P	-	6.45
RJ32	12.30	-
RJ33	-	7.083
IMX264	11.83	-
IMX265	11.83	-
P1300	12.06	-



PROPRIETARY AND CONFIDENTIAL
THE INFORMATION CONTAINED IN THIS DRAWING
IS THE SOLE PROPERTY OF POINT GREY
RESEARCH INC. ANY REPRODUCTION IN PART OR
WHOLE WITHOUT THE WRITTEN PERMISSION OF
POINT GREY RESEARCH INC. IS PROHIBITED.



TOLERANCES
X.X ±0.3
X.XX ±0.10
X.XXX ±0.020
ANGLES ±0.5°

UNLESS OTHERWISE
STATED:
ALL DIMENSIONS IN MM
MACHINE FINISH 1.6µM

SCALE DWG NO
1:1 FL2-003-R8
SIZE TITLE
A FLEA2 GIGE

SHEET 1 OF 3
REV 8