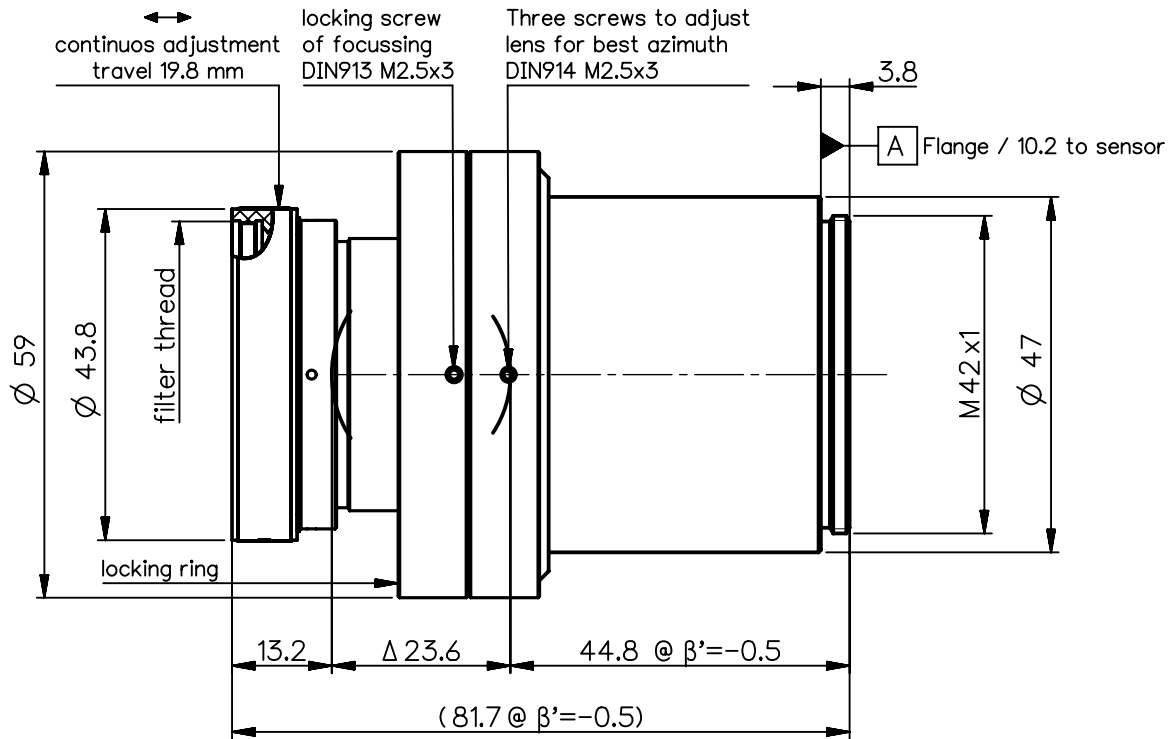


order number	lens name	f-stop
0703-118-000-25	Rodagon M42 4/40	4
0703-118-000-26	Rodagon M42 5.6/40	5.6
0703-118-000-27	Rodagon M42 8/40	8



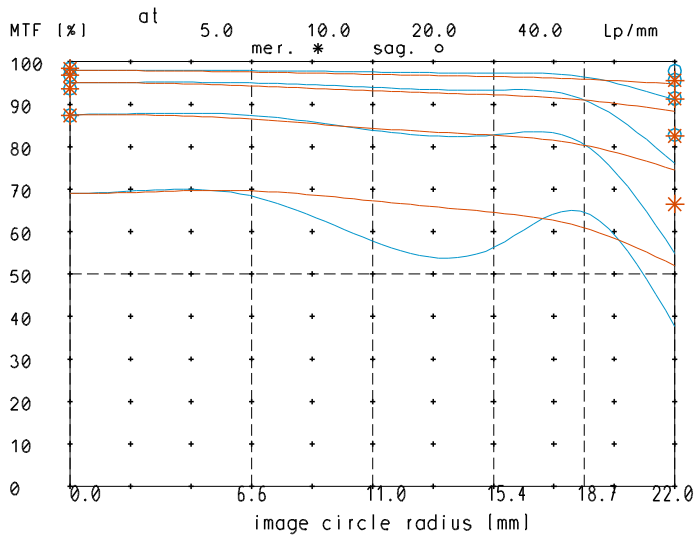
Specification		ON	7411-9001
image circle max. (mm)	44	working distance (mm)	94 - 1027
focal length f' (mm) *	40.4	interface	M42x1
magnification β' [range]	-0.1 [-0.5 ... -0.05]	filter thread	M40.5x0.5
spectral range λ (nm)	400 - 750	weight (g)	190

schematic diagram		*) in air			
		design includes CCD cover glass: no			
		SF (mm)	-26.5	f-stop	4
		S'F' (mm) *	31.2	Ø EnP	10.0
		HH' (mm) *	0.5	Ø Exp	10.8
		SH (mm)	13.9		7.2
		S'H' (mm) *	-9.2		7.7
		SEnP (mm)	11.1		5.0
S'Exp (mm) *	-12.2		5.4		

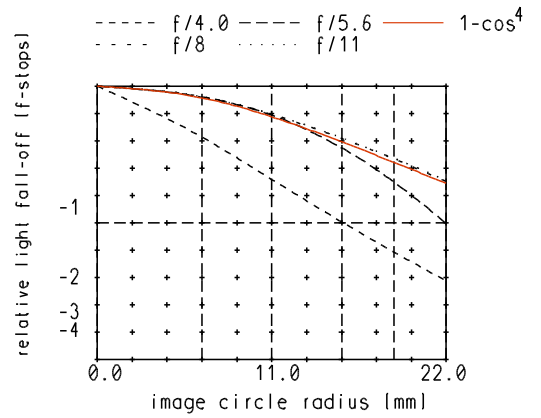
<b>NX</b> PROTECTIVE NOTE "DIN ISO 16016" TO BE OBSERVED	EU-D	AL-T1A	US-D	US-ML	not export controlled	
	REV	ECC	DATE	APPROVED	PDM Status	
	a	Neuausg	11.03.15	Bo II	Freigabe	-
	GENERAL TOLERANCE OF DIMENSION, FORM, POS.				SCALE	1:1
BASIC TOLERANCING PRINCIPLE				TITLE		
				Rodagon M42 40mm		
FIRST ISSUE				DATE	NAME	
CHKD				11.03.15	Bo II	
				Stauder		
<b>QI OPTIQ</b> ALL DIMENSIONS ARE IN MM AND INCLUDE SURFACE TREATMENT				DRAWING NO.		
				0703-118-100-00-0001a		
DIN A 4				REPLACES		
				SHEET	1	
				OF	1	

# Rodagon-M42\_4/40

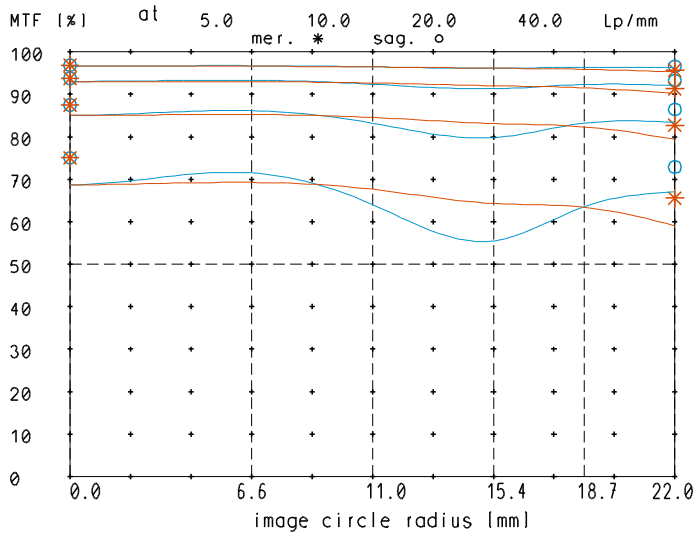
MTF at ratio -0.1x f/ 4.0



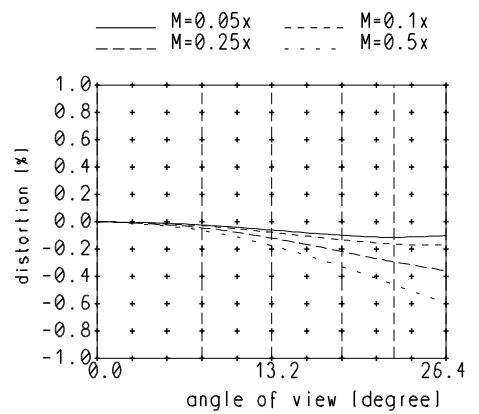
relative light fall-off at ratio -0.1x



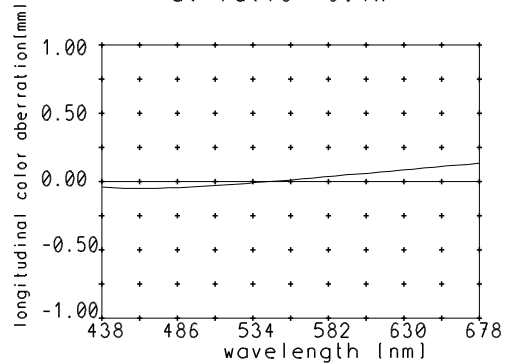
MTF at ratio -0.1x f/ 8



Distortion at ratio 0.05x to 0.5x



Longitudinal color aberration at ratio -0.1x



— sagittal. o Diffraction limited value  
— meridional \* Diffraction limited value

Named frequencies (line pairs/mm) in modular transfer function (MTF) as well as diagrams of relative light fall-off, distortion and longitudinal color aberration refer to film plane.