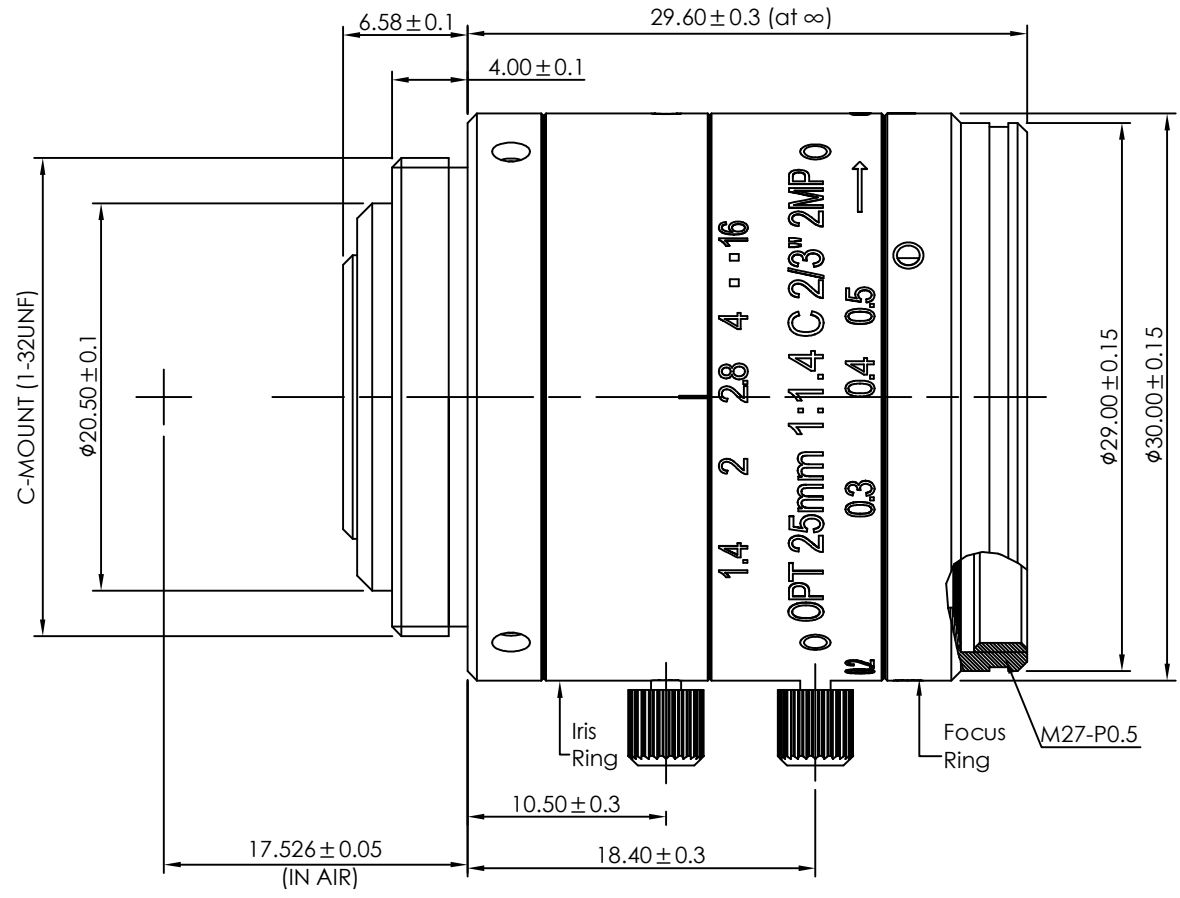



Optical Specification		
Model	OPT-C2514-2M-V2.0	
Resolution	2M Pixel	
Mount	C Mount	
Sensor	2/3"	
Focal Length	25mm	
Pixel Size	5 μm	
Adjustion Type	Manual	
F NO.	F1.4-F16	
Field Angle	2/3" (Diagonal)	25°
	2/3" (Horizontal)	20.1°
	2/3" (Vertical)	15.1°
	1/2" (Diagonal)	18.3°
	1/2" (Horizontal)	14.8°
	1/2" (Vertical)	11°
Distortion	< 0.45%	
Back Focal Length	7.5mm	
Size	Ø30 × 29.6mm	
Filter	M27 × 0.5	
Working Temperature	-20°C ~ +60°C	



View Angle	Remark	Item	Signature	Date
		Drawing		
Standard Difference		Design		
		Check		
		Approve		
		Paper Size	A4	
		Revised Date	2018-10-19	


OPT Machine Vision Co., Ltd.

OPT-C2514-2M-V2.0

Scale	1:1	Page	1/1 Total Page	Version	
-------	-----	------	----------------	---------	--

Copyright © 2011 by OPT
All Rights Reserved

IT14

Drawing Code: KDBZ20181019K03014