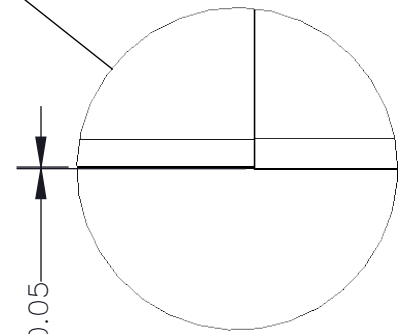
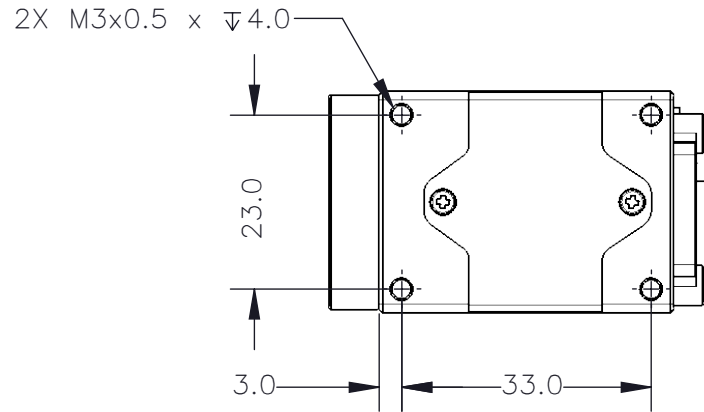
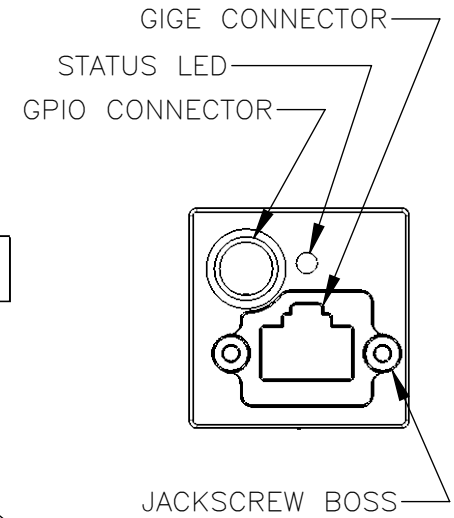
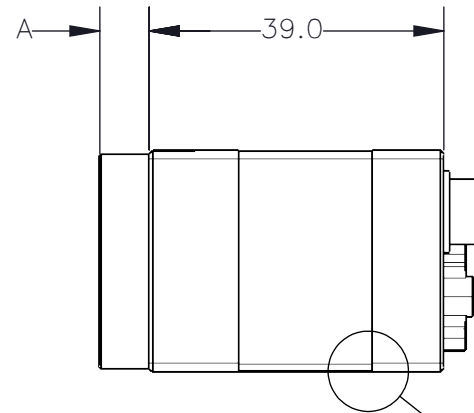
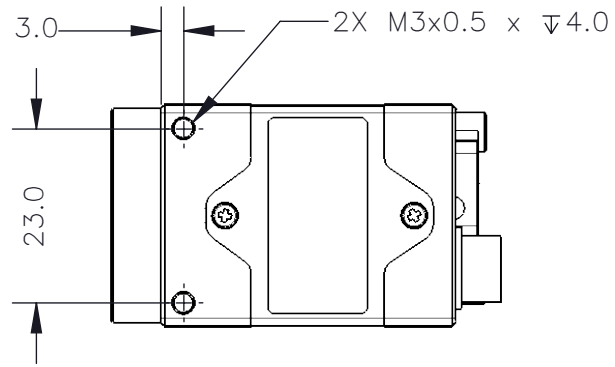
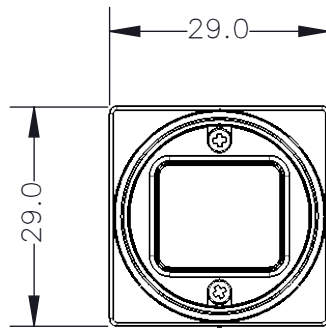
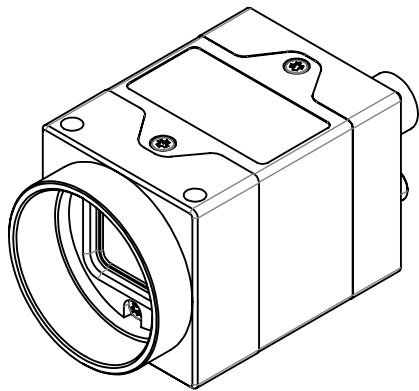


REVISIONS

REV.	DESCRIPTION	DATE DONE	DONE BY	CHECKED BY
0	INITIAL RELEASE	04.MAR.19	GUS	DANIEL

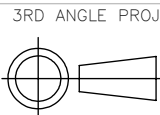


BARREL LENGTH - "A"
(+0.10/-0.15)

SENSOR	C-MOUNT	CS-MOUNT
IMX421	6.5	-
IMX422	6.5	-
IMX425	6.5	-
IMX428	6.5	-
IMX429	6.5	-
IMX430	6.5	-
IMX432	6.5	-



PROPRIETARY AND CONFIDENTIAL
THE INFORMATION CONTAINED IN THIS DRAWING IS
THE SOLE PROPERTY OF FLIR INTEGRATED IMAGING
SOLUTIONS. ANY REPRODUCTION IN PART OR
WHOLE WITHOUT THE WRITTEN PERMISSION OF FLIR
INTEGRATED IMAGING SOLUTIONS IS PROHIBITED.



UNLESS OTHERWISE
STATED:
ALL DIMENSIONS IN MM
MACHINE FINISH 1.6µM

SCALE DWG NO
1:1 BFS-XL-03-R0
SIZE TITLE
A BFS-XL USB

SHEET REV
1 OF 3 0