

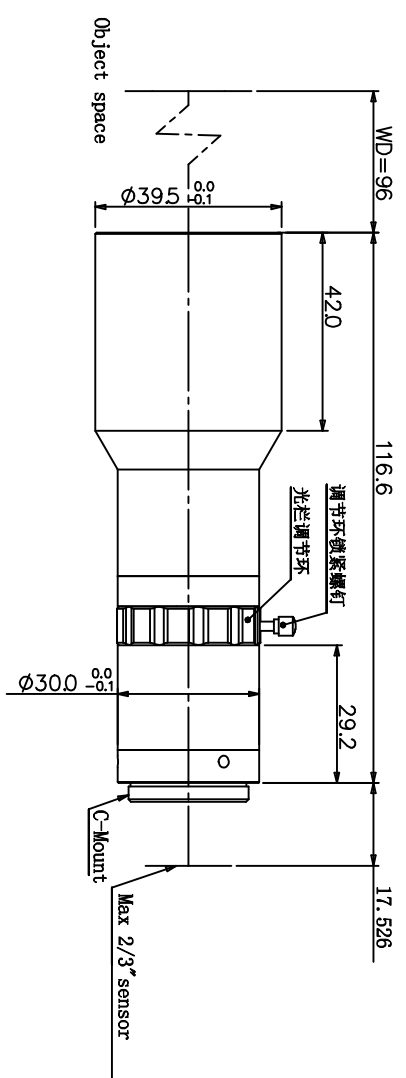
A

B

C

D

Optical Specifications	
Magnification (X)	0.400
Working Distance (mm)	96±2
Telecentricity(°)	<0.1
Distortion (%)	<0.1
Depth Of Field (mm)	2.58
MTF30 (lp/mm)	>80
Aperture	5.0
Object Space NA	0.03997
O/I Distance (mm)	230±2
Length (mm)	116.6
Sensor Size (φ mm)	11.0(2/3")
Mount	C-Mount
Weight (kg)	0.162



View Angle	
Standard Difference	

Remark

Item	Signature	Date
Drawing		
Design		
Check		
Approve		



广东奥普特科技股份有限公司

OPT-AS04-96A-IR

Copyright © 2011 by OPT
All Rights Reserved

Drawing Code: KPPD20171130K08004

View Angle

Standard Difference

TT14

Remark

Item	Signature	Date
Drawing		
Design		
Check		
Approve		

OPT-AS04-96A-IR

Scale: 3:2

Page: 1/1 Total Page

Version: VI.0.1

4

Copyright © 2011 by OPT
All Rights Reserved

View Angle

Standard Difference

TT14

Remark

Item	Signature	Date
Drawing		
Design		
Check		
Approve		

OPT-AS04-96A-IR

Scale: 3:2

Page: 1/1 Total Page

Version: VI.0.1

4

3

3

2

2

1

1