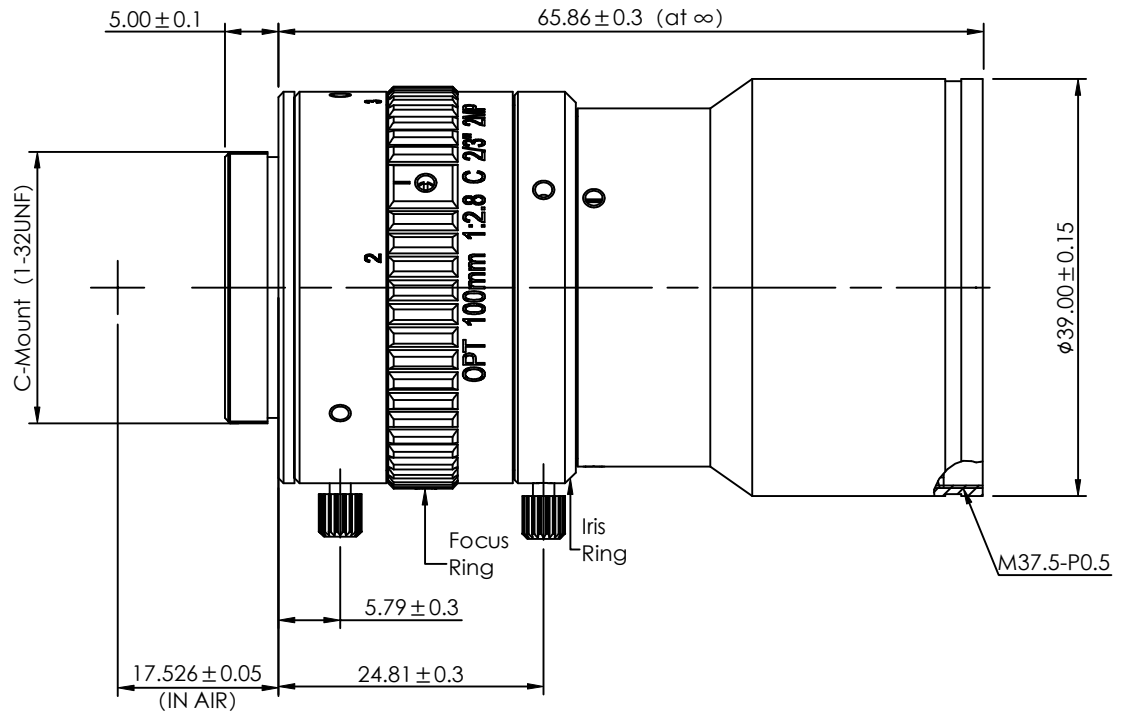


Optical Specification	
Model	OPT-C10028-2M-N-V1.0
Resolution	2M Pixel
Mount	C Mount
Sensor	1"
Focal Length	100mm
Working Distance	2m~∞
Adjustion Type	Manual
F NO.	F2.8-F16
Field Angle	5.6×7.5°
Distortion	< 0.1%
Size	∅39×65.85mm
Filter	M37.5×0.5
Working Temperature	-10°C~+50°C



1	
2	
3	

View Angle		Remark	Item	Signature	Date	OPT Machine Vision Co.,Ltd. OPT-C10028-2M-N-V1.0
	Standard Difference		Drawing			
Copyright © 2011 by OPT All Rights Reserved	IT14		Design			
			Check			
			Approve			
Drawing Code	KDBZ20171121K05006		Paper Size	A4		
			Revised Date	2017-10-14	Scale	1:1
				Page	1/1 Total Page	Version