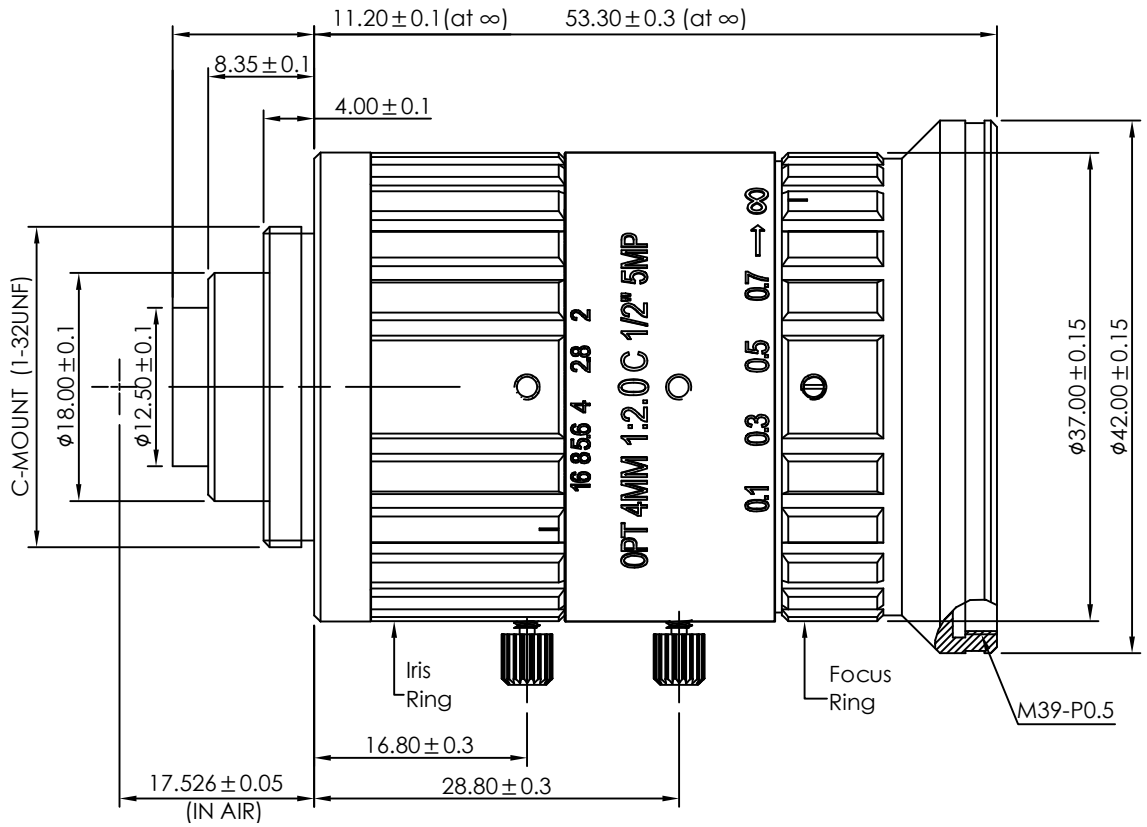


Optical Specification		
Model	OPT-C0420-5M-V1.2	
Resolution	5M Pixel	
Mount	C Mount	
Sensor	1/2"	
Focal Length	4mm	
Pixel Size	3.45μm	
Adjustion Type	Manual	
F NO.	F2.0-F1.6	
Field Angle	1/3" (Diagonal)	72.4°
	1/3" (Horizontal)	60.6°
	1/3" (Vertical)	47.2°
	1/2" (Diagonal)	88.2°
	1/2" (Horizontal)	76°
	1/2" (Vertical)	60.6°
Distortion	< 1.7%	
Back Focal Length	6.45mm	
Size	Ø42×53.3mm	
Filter	M39×0.5	
Working Temperature	-20°C~+60°C	



View Angle	
Standard Difference	
Copyright © 2011 by OPT All Rights Reserved	
Drawing Code	KDBZ20181019K03007

Remark	Item	Signature	Date
IT14	Drawing		
	Design		
	Check		
	Approve		
	Paper Size	A4	
	Revised Date	2018-10-19	

		OPT Machine Vision Co.,Ltd.	
OPT-C0420-5M-V1.2			
Scale	1:1	Page	1/1 Total Page
Version			