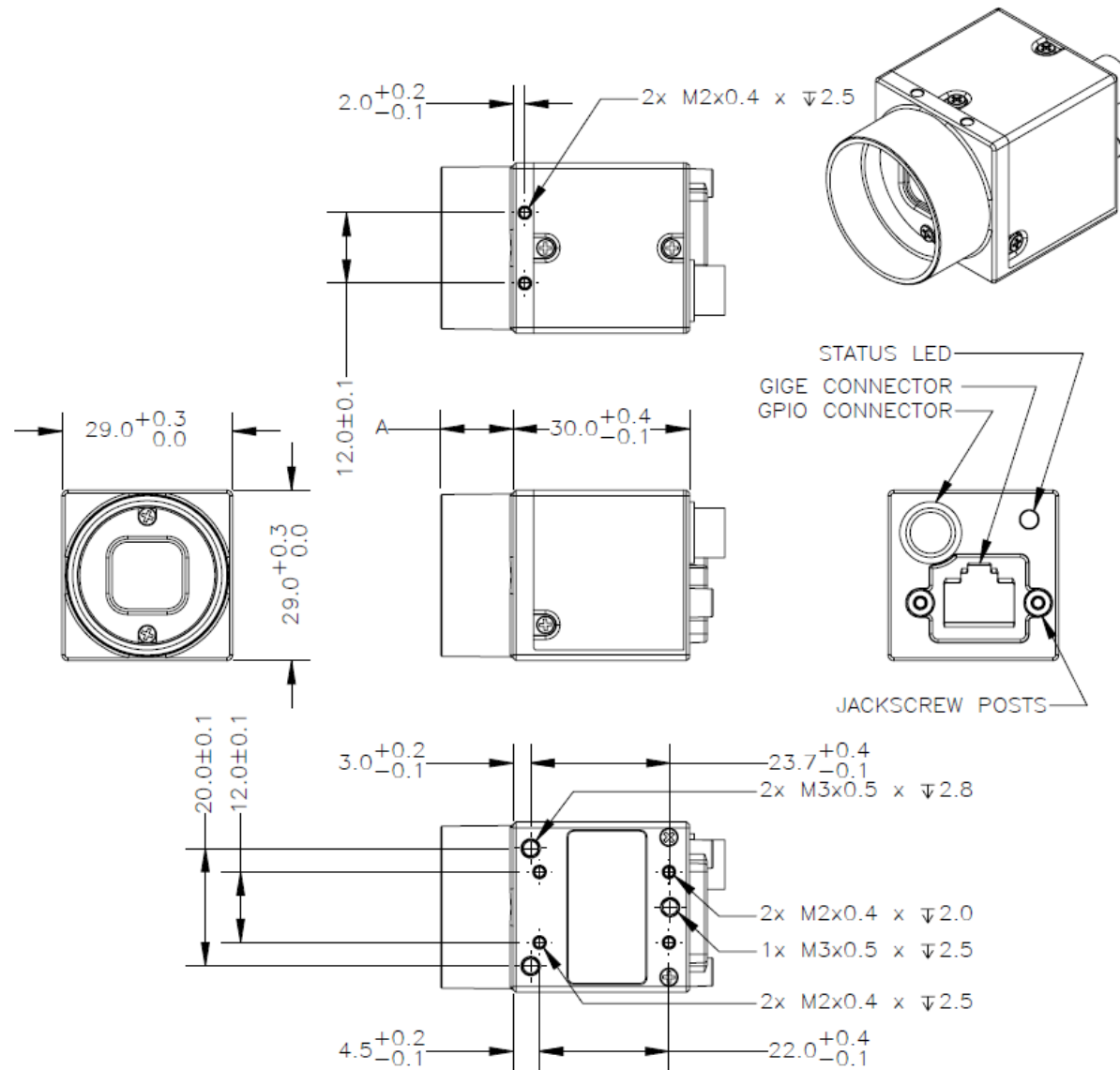


BARREL LENGTH - "A" (+0.10/-0.15)		
SENSOR	C-MOUNT	CS-MOUNT
ICX204	12.30	-
ICX424	12.30	7.27
ICX267	12.30	-
ICX274	12.30	7.27
ICX692	-	7.27
ICX693	-	7.27
ICX445	12.30	7.27
ICX655	12.30	-
ICX414	-	-
ICX618	-	-
EV76C560	-	6.94
EV76C570	-	6.94
IMX104	-	6.72
IMX136	-	6.72
AR0134	-	6.45
MT9P	-	6.45
RJ32	12.30	-
RJ33	-	7.083



Dimensions are approximate measurements in mm.
The contents of this document are subject to change.
For questions or additional information,
contact support@ptgrey.com