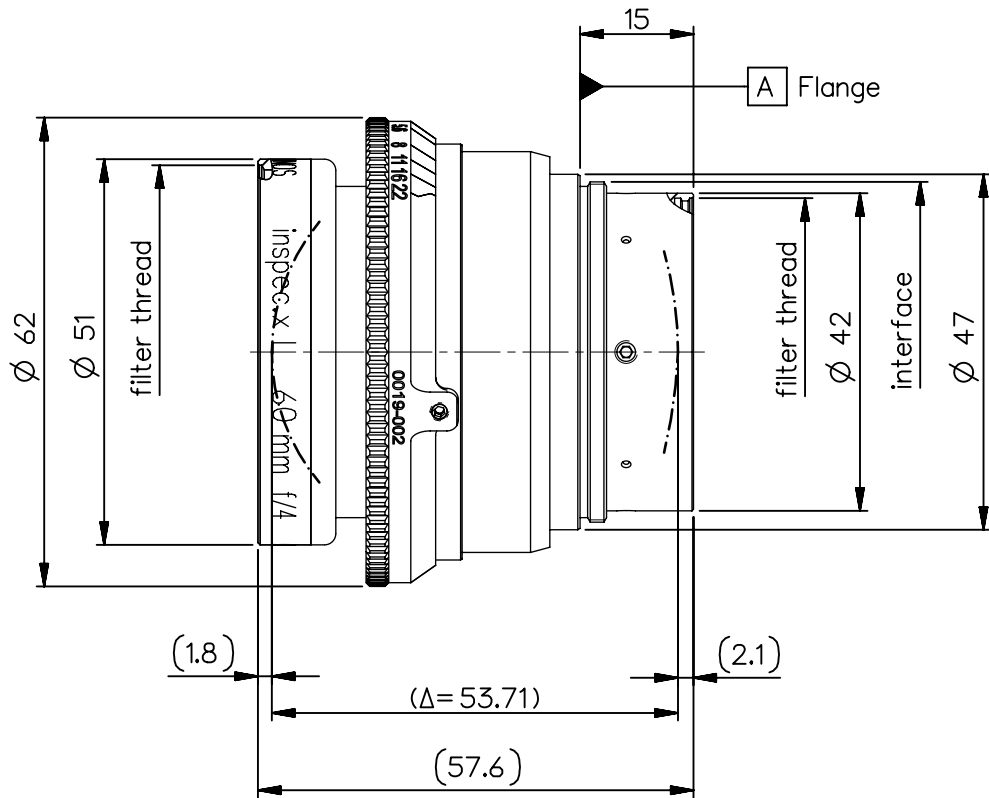


order number	lens name
0019-002-000-50	inspec.x L 4/60



Specification		ON	7721-9011
image circle max. (mm)	70.9	working distance (mm)	334 ... ∞
focal length f' (mm)	60.6	interface	M45x0.75
magnification β' [range]	-0.033 [-0.2 ... 0]	filter thread	M49x0.75 / M40.5x0.5
spectral range λ (nm)	400 - 750	weight (g)	240

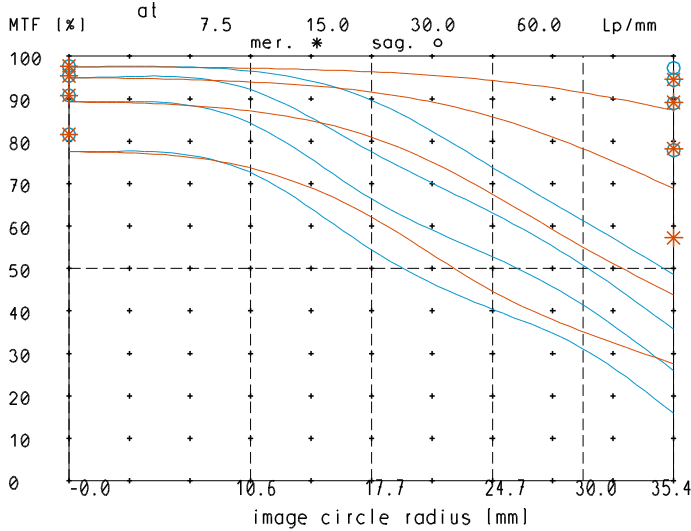
schematic diagram		*) in air	
		design includes CCD cover glass: yes / 2mm N-BK7	
SF (mm)	-33.6	f-stop	4
S'F' (mm) *	42.3	Ø EnP	14.4
HH' (mm) *	8.5	Ø Exp	14.5
SH (mm)	26.9		
S'H' (mm) *	-18.3		
SEnP (mm)	26.6		
S'ExP (mm) *	-18.6		

NX	EU-D	AL-T1A	US-D	US-ML	not export controlled
				PDM-Status Freigabe	-
	Rev. a	Aenderung Neuausg	Datum 04.06.18	Freigabe Denk	zul. Abweichung für Mass, Form & Lage
					Oberfläche
Schutzvermerk "DIN ISO 16016" beachten	Tolerierung			Benennung	inspec.x L 1:4 f=60mm
	Ersterstellung	Datum 04.06.18	Name Denk	Maßstab 1:1	
	Prüfung	Datum 04.06.18	Name Stauder	Werkstoff	
DIN A 4	Alle Maße in mm, inklusive Oberflächenbehandlung			Zeichnungsnummer	0019-002-100-50-0001a
				Ersatz für	
					Blatt 1 von 1

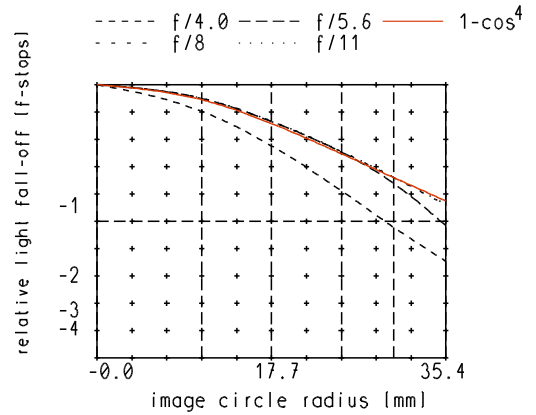


inspec.x_L_4.0/60

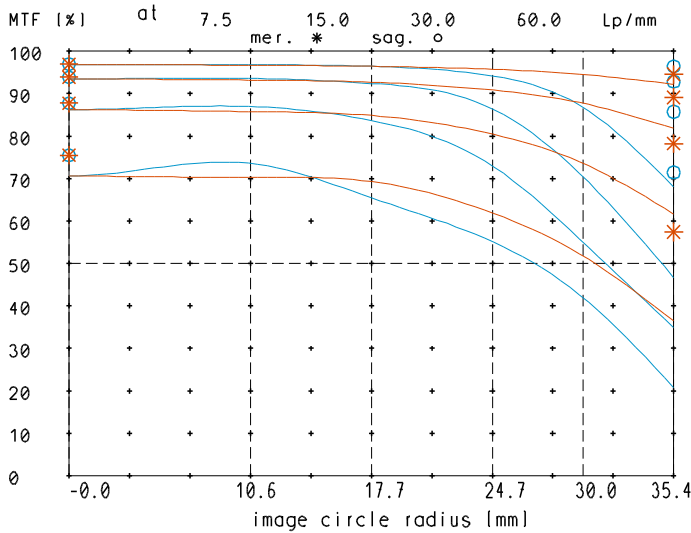
MTF at ratio -0.03 f/ 4.0



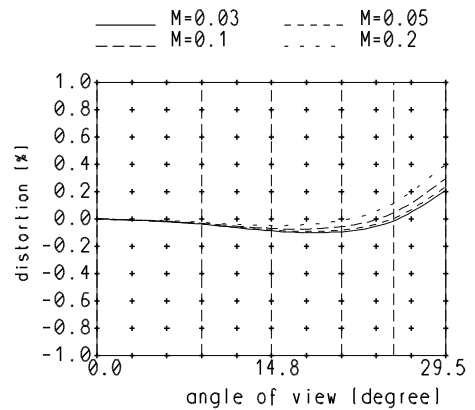
relative light fall-off at ratio -0.03



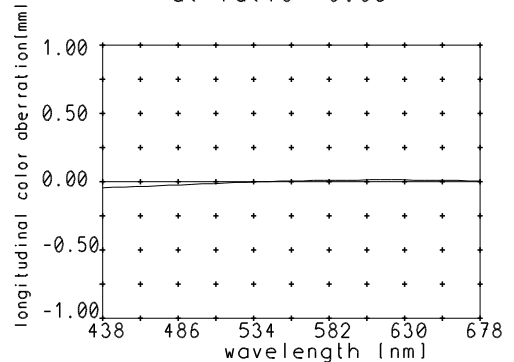
MTF at ratio -0.03 f/ 5.6



Distortion at ratio 0.03 to 0.2



Longitudinal color aberration at ratio -0.03



— sagittal, o Diffraction limited value
 — meridional * Diffraction limited value

Named frequencies (line pairs/mm) in modular transfer function (MTF) as well as diagrams of relative light fall-off, distortion and longitudinal color aberration refer to film plane.