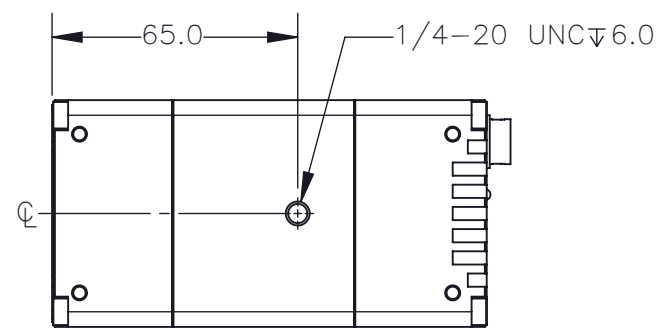
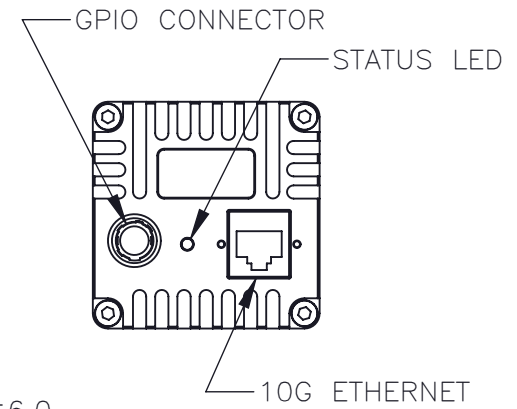
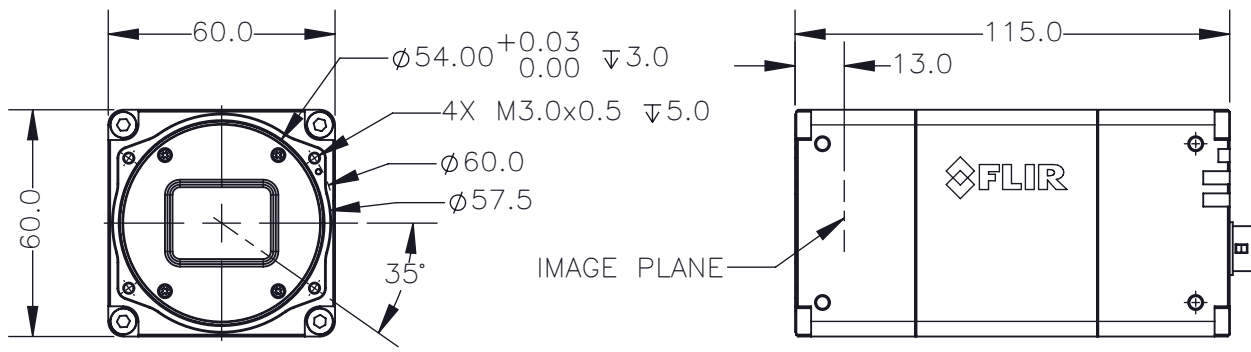
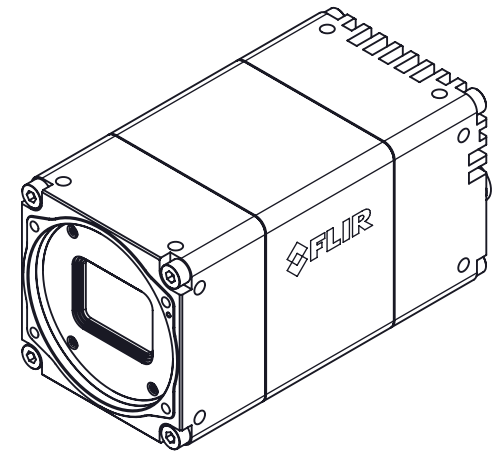
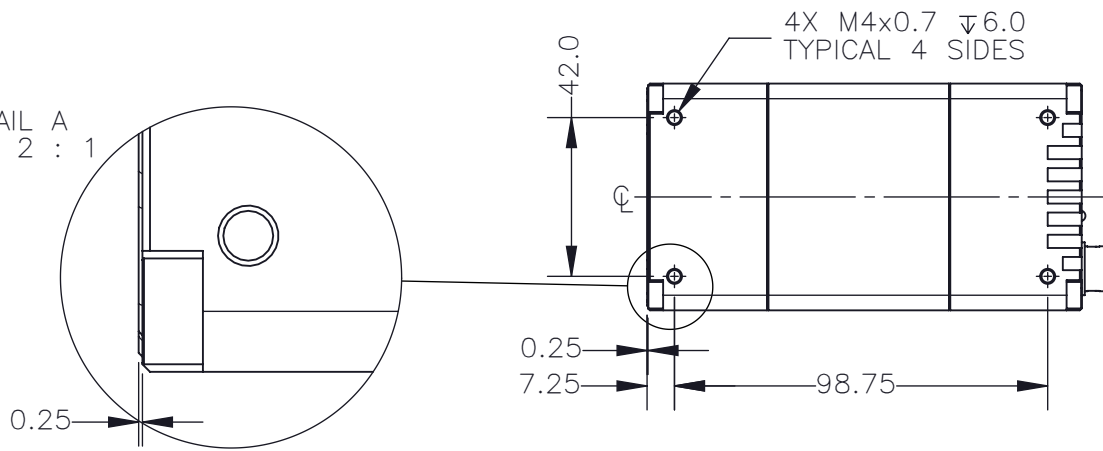
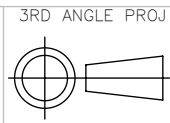


| REVISIONS | | | | |
|-----------|-----------------|-----------|---------|------------|
| REV. | DESCRIPTION | DATE DONE | DONE BY | CHECKED BY |
| 0 | INITIAL RELEASE | 23.APR.19 | GUS | - |

DETAIL A
SCALE 2 : 1



PROPRIETARY AND CONFIDENTIAL
THE INFORMATION CONTAINED IN THIS DRAWING IS THE SOLE PROPERTY OF FLIR INTEGRATED IMAGING SOLUTIONS. ANY REPRODUCTION IN PART OR WHOLE WITHOUT THE WRITTEN PERMISSION OF FLIR INTEGRATED IMAGING SOLUTIONS IS PROHIBITED.



| TOLERANCES | |
|------------|--------|
| X.X | ±0.3 |
| X.XX | ±0.10 |
| X.XXX | ±0.020 |
| ANGLES | ±0.5° |

UNLESS OTHERWISE STATED:
ALL DIMENSIONS IN MM
MACHINE FINISH 1.6μM

| SCALE | DWG NO |
|-------|-------------|
| 1:1 | ORYX-002-R0 |
| SIZE | TITLE |
| A | ORYX-LF |

| SHEET | REV |
|--------|-----|
| 1 OF 3 | 0 |