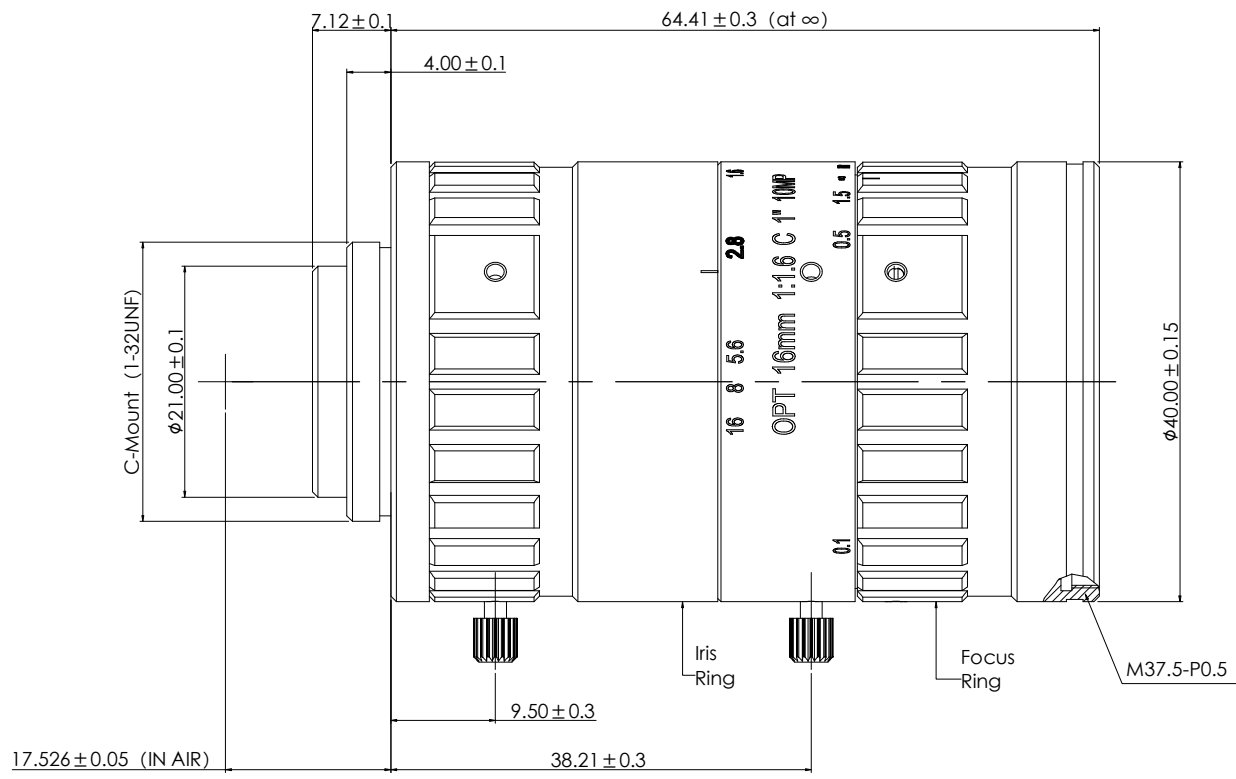


A B C D

Optical Specification	
Model	OPT-C1616-10M-V1.0
Resolution	10M Pixels
Mount	C Mount
Sensor	1"
Focal Length	16
Working Distance	100~∞
Adjustment Type	Manual
FNO.	F1.6-F16
Field Angle (D×H×V)	2/3" 38° x30.7° x23.2°
	1" 53.4° x43.3° x33.4°
Distortion	< 0.68%
Back Focal Length	10.7
Size	∅40 × 64.41
Filter	M37.5 × P0.5
Working Temperature	-20°C~60°C



1
2
3

View Angle		Remark	Item	Signature	Date	OPT Machine Vision Co.,Ltd. OPT-C1616-10M-V1.0		
	Standard Difference		Drawing					
Design								
Check								
Copyright © 2011 by OPT All Rights Reserved	IT14	Approve						
		Paper Size	A4					
Drawing Code	KDPA20171117K04005	Revised Date	2017-11-17	Scale	3:2	Page	1/1 Total Page	Version

4