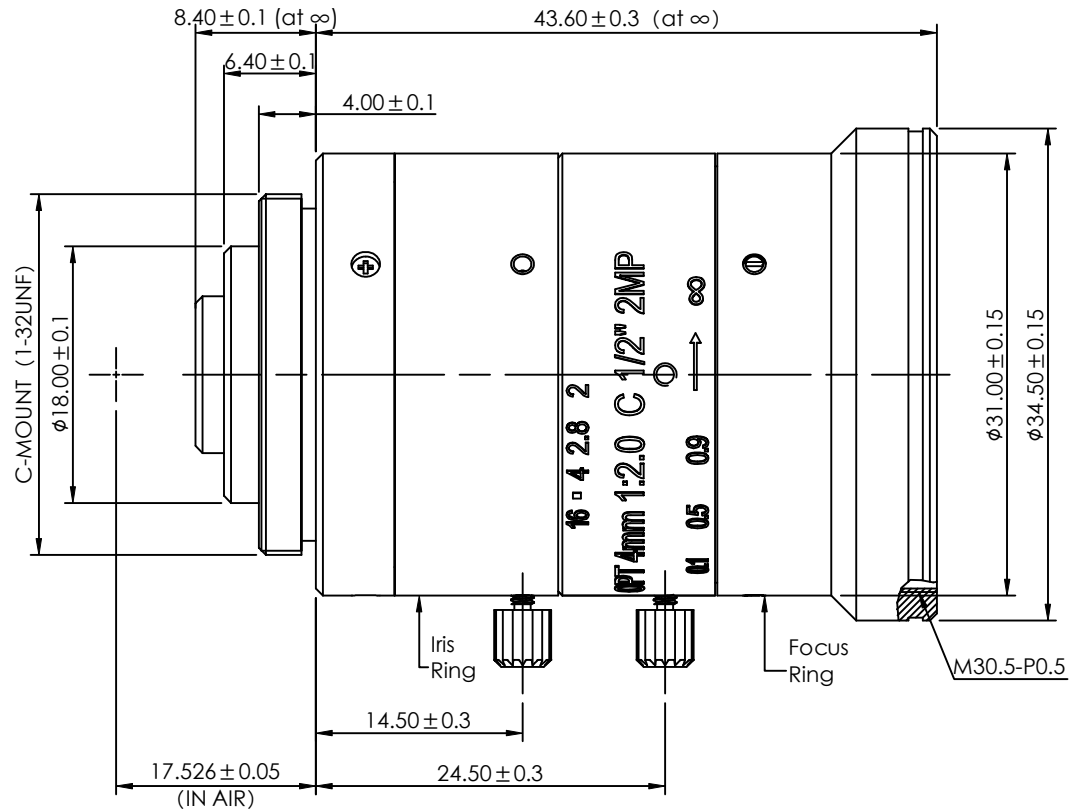


A		B		C		D	
Optical Specification							
Model	OPT-C0420-2M-V1.1						
Resolution	2M Pixel						
Mount	C Mount						
Sensor	1/2"						
Focal Length	4mm						
Pixel Size	5 μm						
Adjustion Type	Manual						
F NO.	F2.0-F16						
Field Angle	1/3" (Diagonal)	72.4°					
	1/3" (Horizontal)	60.6°					
	1/3" (Vertical)	47.2°					
	1/2" (Diagonal)	88.2°					
	1/2" (Horizontal)	76°					
	1/2" (Vertical)	60.6°					
Distortion	< 1.6%						
Back Focal Length	9.14mm						
Size	Ø34.5 × 43.6mm						
Filter	M30.5 × 0.5						
Working Temperature	-20°C ~ +60°C						



View Angle		Remark	Item	Signature	Date	OPT Machine Vision Co.,Ltd. OPT-C0420-2M-V1.1	
	Standard Difference		Design				
Copyright © 2011 by OPT All Rights Reserved	IT14	Check					
		Approve					
		Paper Size	A4				
		Revised Date	2017-10-14				
Drawing Code	KDBZ20171120K05001	Scale	1:1	Page	1/1 Total Page	Version	