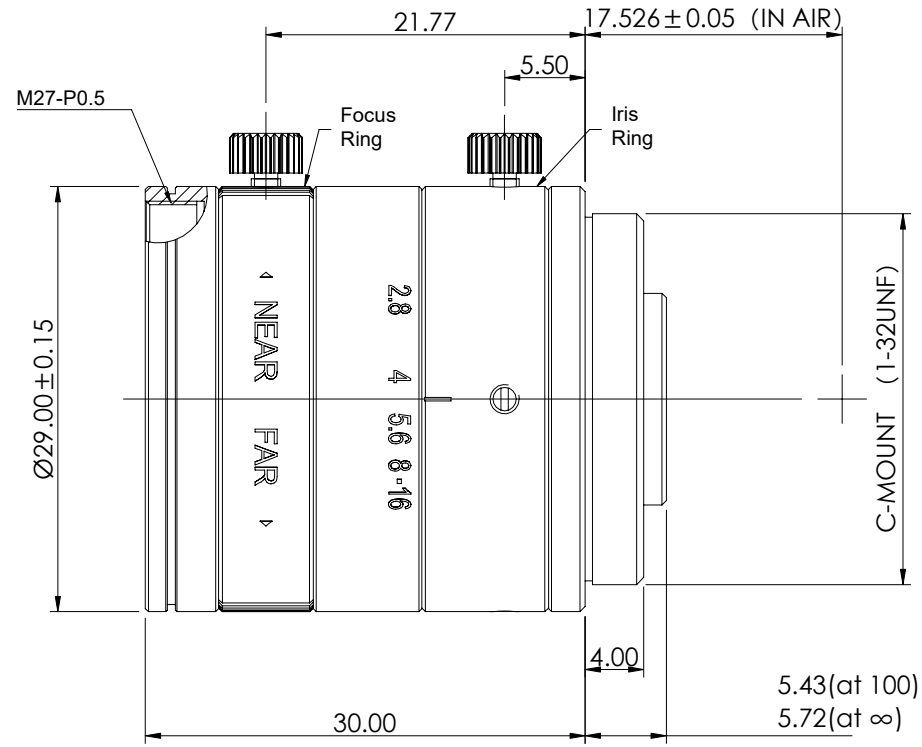


A		B	C	D
Optical Specification				
Model	OPT-COB0828-V2.0			
Focal Length(mm)	8			
Sensor	1/1.8"			
Resolution	2.2μm			
Adjustion Type	Manual			
Aperture	F2.8-F16			
Working Distance(mm)	100~∞			
Mag. at MOD	0.071X at WD100			
TV Distortion	<0.18% at WD300			
Back Facal Length (mm)	12.99 at WD100			
	12.34 at Infinity			
Chief Ray Angle	<5°			
Mount	C Mount			
Filter	M27×P0.5			
Size	∅29.00×30.00			
Weight	52g			
Working Temperature	-20°C~60°C			



View Angle		Remark	Item	Signature	Date	 OPT Machine Vision Co., Ltd.	
Standard Difference			Drawing				
Copyright © 2020 by OPT All Rights Reserved	IT14		Design				
			Check				
			Approve				
Drawing Code			Paper Size	A4			
			Revised Date	2020-5-23		Scale	
				Page	1/1 Total Page	Version	A02

OPT-COB0828-V2.0	
------------------	--

OPT-COB0828-V2.0	
------------------	--