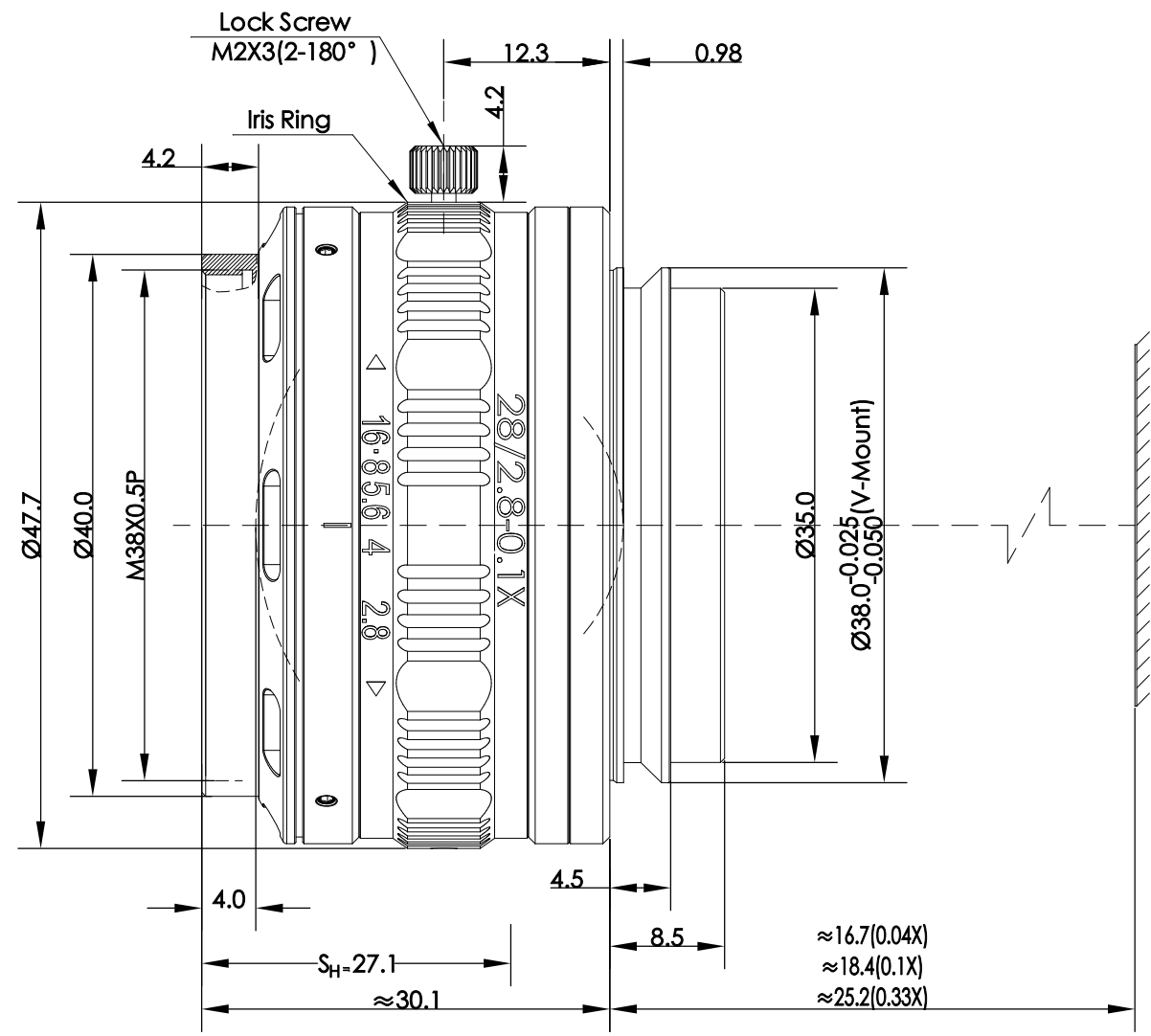


Optical Specification			
Model	OPT-VCT28/2.8-0.1X-V1.0		
Focal Length	29		
F NO.	F2.8-F32		
Image Circle	30		
Mount	V38		
Weight	0.13kg		
Size	Ø47.7×30.1		
Filter	M38×0.5P		
Working Temperature	-20° C~60° C		
Distortion	0.40	0.10	0.50
Magnification	0.04X	0.10X	0.33X
Working Distance	737	304	93
Flange Back Length	16.7	18.4	25.2
IO Distance	784.1	352.7	148.4



View Angle	Remark	Item	Signature	Date
		Drawing		
Standard Difference		Design		
IT14		Check		
		Approve		
		Paper Size	A4	
		Revised Date	2018-7-20	

OPT Machine Vision
OPT Machine Vision Co.,Ltd.

OPT-VCT28/2.8-0.1X-V1.0

Scale	3:2	Page	1/1 Total Page	Version	V1.0
-------	-----	------	----------------	---------	------

Copyright © 2011 by OPT
All Rights Reserved

Drawing Code: KDPA20180720K06001