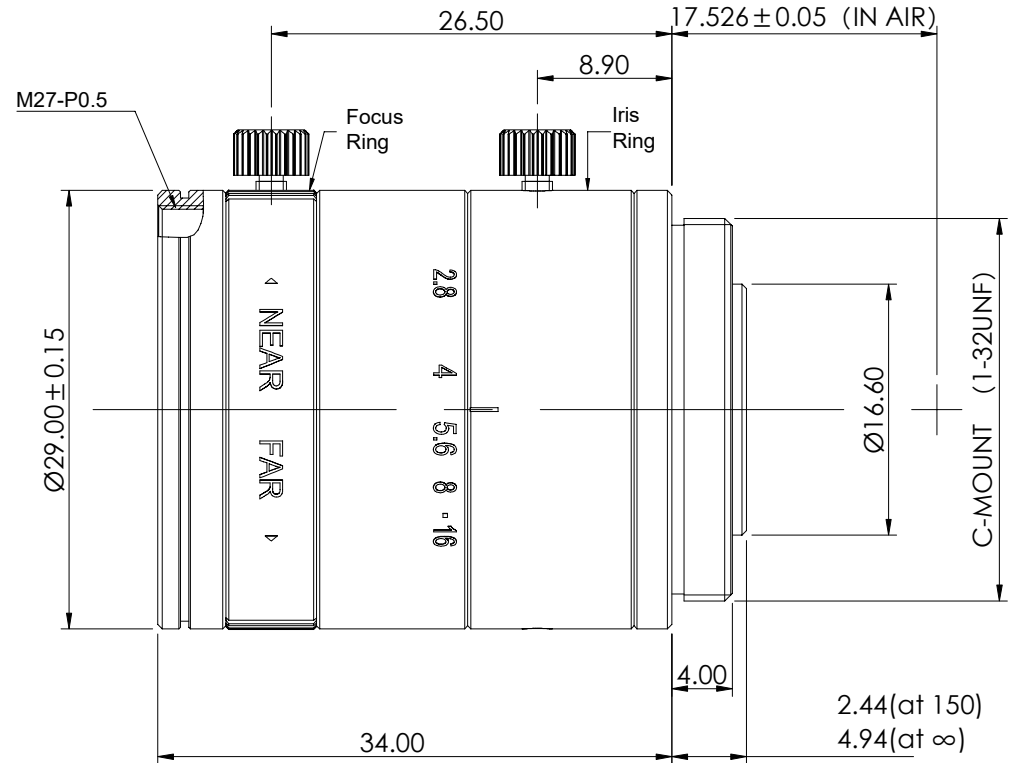


Optical Specification	
Model	OPT-COB2528-V2.0
Focal Length(mm)	25
Sensor	2/3"
Resolution	2.2μm
Adjustment Type	Manual
Aperture	F2.8-F16
Working Distance(mm)	150~∞
Mag. at MOD	0.159X at WD150
TV Distortion	<0.15% at WD300
Back Facal Length (mm)	16.63 at WD150
	12.65 at Infinity
Chief Ray Angle	< 5°
Mount	C Mount
Filter	M27×P0.5
Size	∅29.00×34.00
Weight	50g
Working Temperature	-20°C~60°C



View Angle	Remark	Item	Signature	Date				
		Drawing						
		Design						
		Check						
		Approve						
		Paper Size	A4					
Revised Date	2020-5-23		Scale		Page	1/1 Total Page	Version	A02

OPT Machine Vision Co., Ltd.

OPT-COB2528-V2.0

Copyright © 2020 by OPT
All Rights Reserved

IT14

Drawing Code