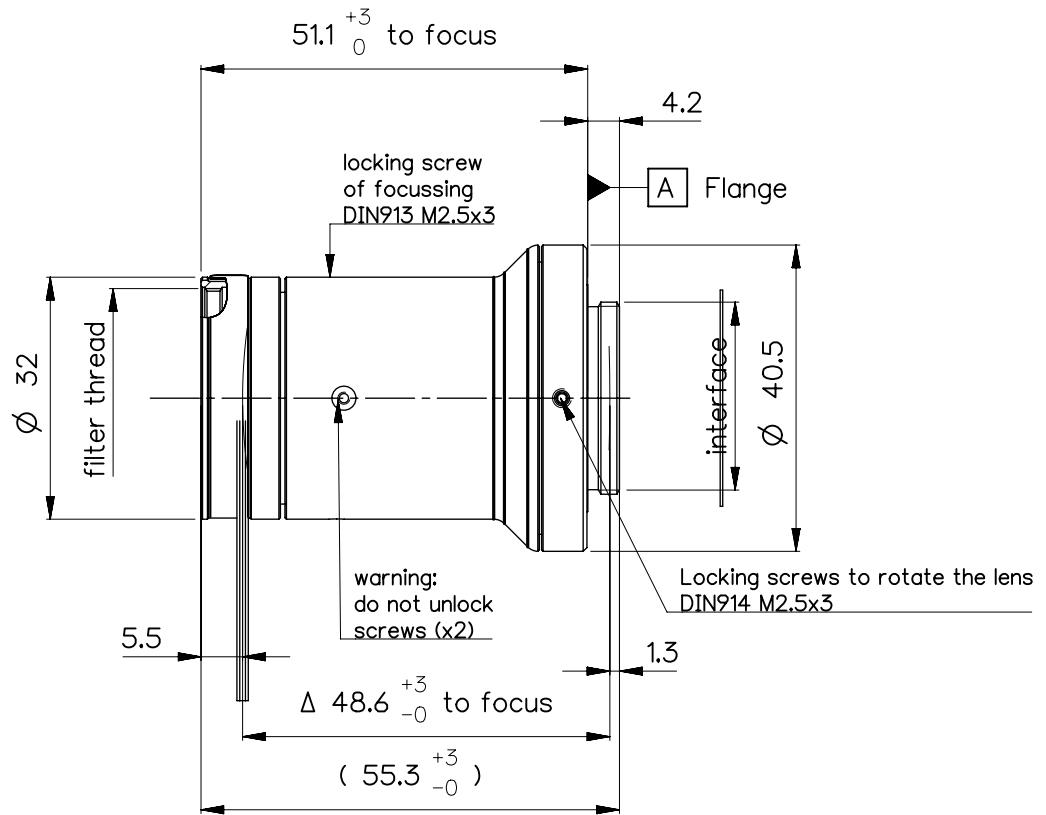


order number	lens name	f-stop
0020-009-000-20	MeVis-CF 1.6/16	1.6
0020-009-000-21	MeVis-CF 2.8/16	2.8
0020-009-000-22	MeVis-CF 4.0/16	4.0

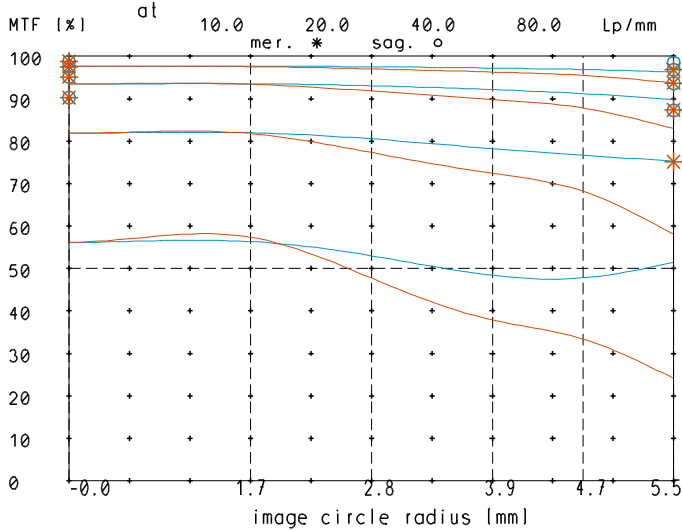


Specification		ON	5801-9031
image circle max. (mm)	11	working distance (mm)	150 ... ∞
focal length f' (mm)	16.3	interface	C-mount (1-32 UN 2A)
magnification β' [range]	-0.05 [-0.1 ... 0]	filter thread	M30 x0.75
spectral range λ (nm)	450 - 950	weight (g)	120
schematic diagram		design includes CCD cover glass: yes 1mm K7	
*) in air		SF (mm)	13.4
		S'F' (mm) *)	13.8
		HH' (mm) *)	17.9
		SH (mm)	29.7
		S'H' (mm) *)	-2.5
		SEnP (mm)	18.3
		S'Exp (mm) *)	-40.4
		f-stop	1.6
		\varnothing EnP	9.6
		\varnothing Exp	31.9
			18.7
			13.1

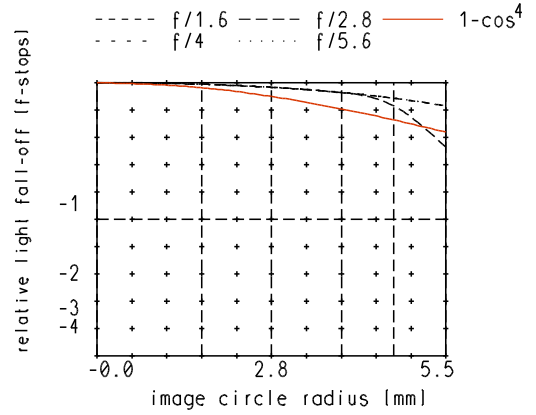
NX	EU-D		AL-T1A		US-D		US-ML		not export controlled	
	PDM Status		Freigabe							
PROTECTIVE NOTE "DIN ISO 16016" TO BE OBSERVED	REV	ECC	DATE	APPROVED	GENERAL TOLERANCE OF DIMENSION, FORM, POS.	SURF. TREATMT	SCALE 1:1			
	a	Neuausg			ISO 2768-mH		MATERIAL			
	b	12-0001	23.01.12	Kuehne			TITLE MeVis-CF 1.6/16mm			
	c	12-0001	10.02.12	Kuehne						
	d	12-0185	29.03.12	Schuber	BASIC TOLERANCING PRINCIPLE					
	e	14-0184	04.08.14	Schiffe	ISO 8015					
f	20-0119	10.02.20	Hornbog			DRAWING NO. 0020-009-100-00-0001f				
										SHEET 1
										OF 1
DIN A 4	ALL DIMENSIONS ARE IN MM AND INCLUDE SURFACE TREATMENT								REPLACES	

MeVis-C_1.6/16

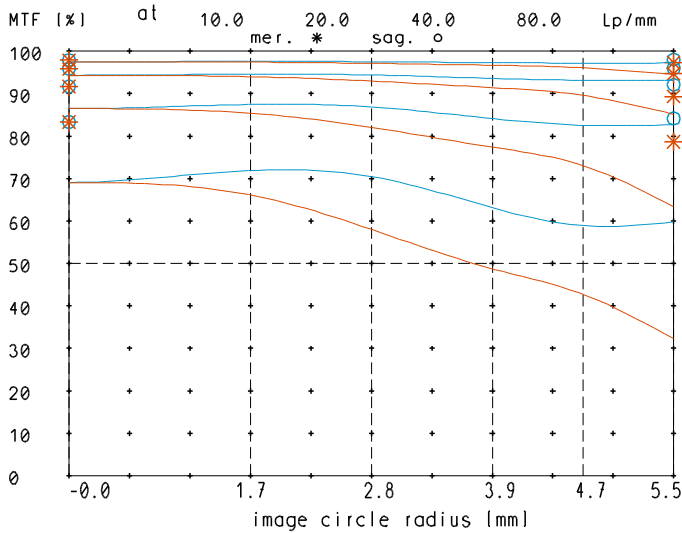
MTF at ratio 0.05 f/ 1.6



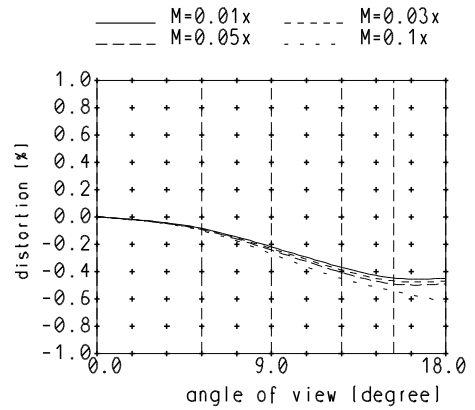
relative light fall-off at ratio 0.05



MTF at ratio 0.05 f/ 2.8

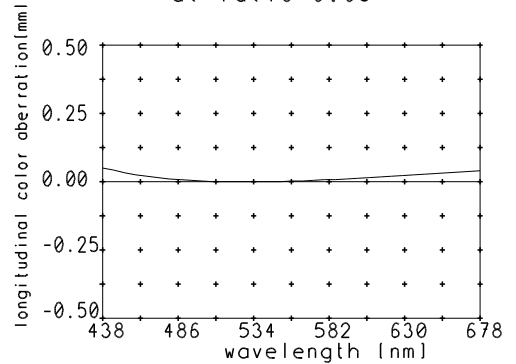


Distortion at ratio 0.01x to 0.1x



— sagittal, o Diffraction limited value
 — meridional * Diffraction limited value

Longitudinal color aberration at ratio 0.05



Named frequencies (line pairs/mm) in modular transfer function (MTF) as well as diagrams of relative light fall-off, distortion and longitudinal color aberration refer to film plane.