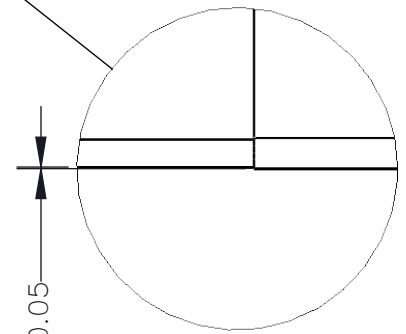
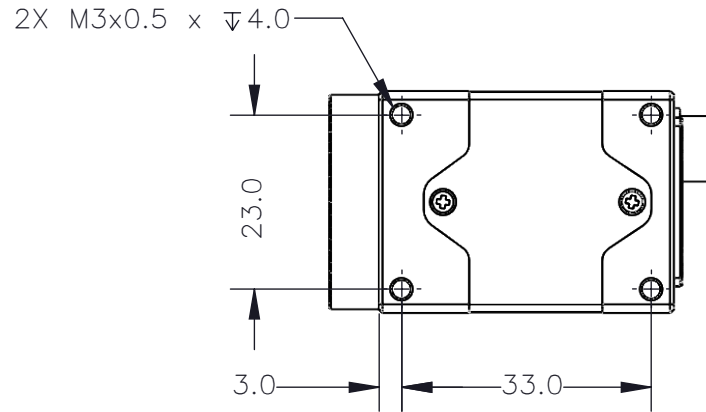
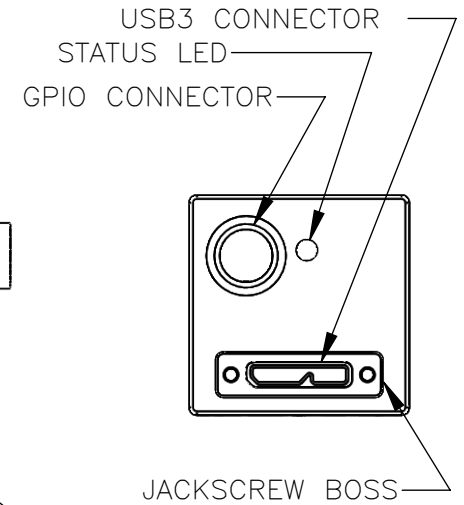
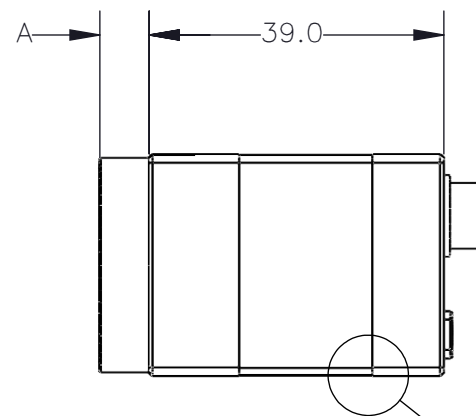
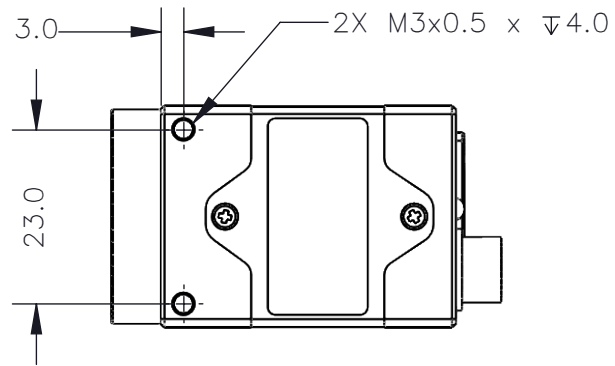
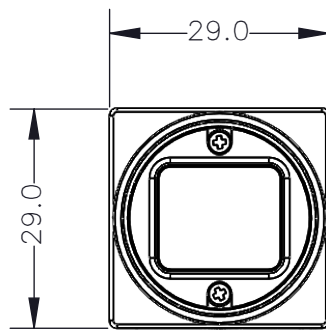
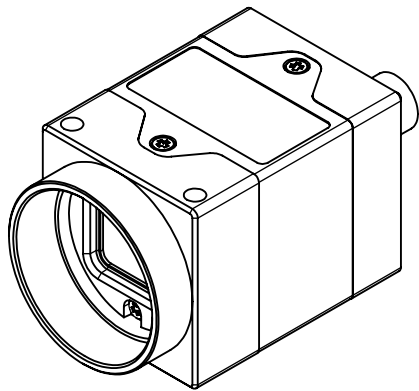


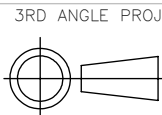
REVISIONS				
REV.	DESCRIPTION	DATE DONE	DONE BY	CHECKED BY
0	INITIAL RELEASE	17.DEC.18	CHRIS	



BARREL LENGTH – "A" (+0.10/-0.15)		
SENSOR	C-MOUNT	CS-MOUNT
IMX421	6.5	—
IMX422	6.5	—
IMX425	6.5	—
IMX428	6.5	—
IMX429	6.5	—
IMX430	6.5	—
IMX432	6.5	—



PROPRIETARY AND CONFIDENTIAL
 THE INFORMATION CONTAINED IN THIS DRAWING IS
 THE SOLE PROPERTY OF FLIR INTEGRATED IMAGING
 SOLUTIONS. ANY REPRODUCTION IN PART OR
 WHOLE WITHOUT THE WRITTEN PERMISSION OF FLIR
 INTEGRATED IMAGING SOLUTIONS IS PROHIBITED.



UNLESS OTHERWISE
 STATED:
 ALL DIMENSIONS IN MM
 MACHINE FINISH 1.6μM

SCALE DWG NO
 1:1 BFS-XL-02-R0
 SIZE TITLE
 A BFS-XL USB

SHEET REV
 1 OF 3 0