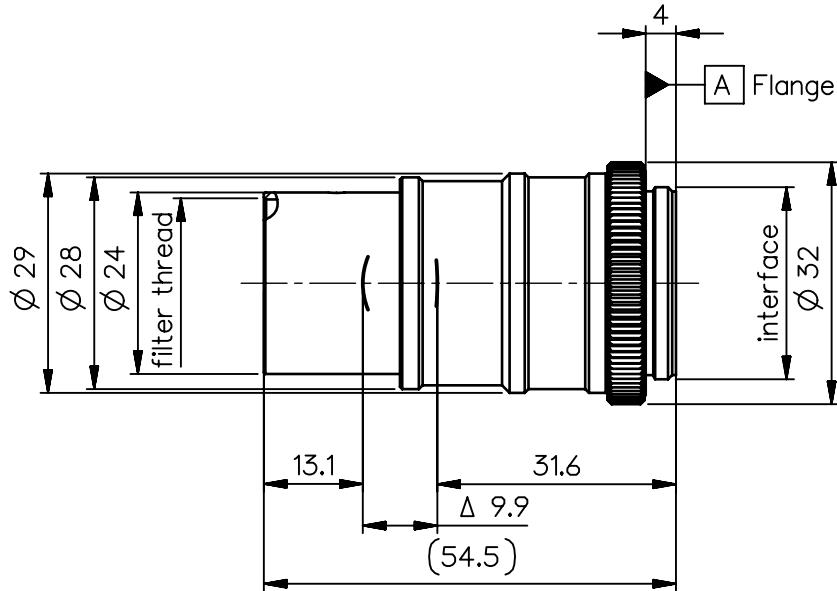


order number	lens name	f-stop
0009-191-000-40	Macro-CCD-Lens -0.5x 5.6	5.6
0009-191-000-41	Macro-CCD-Lens -0.5x 8	8



<b>Specification</b>		ON					
image circle max. (mm)	11	working distance (mm)	90				
focal length $f'$ (mm) *	35.1	interface	C-mount				
magnification $\beta'$ [range]	-0.5	filter thread	M22.5 x0.5				
spectral range $\lambda$ (nm)	400 - 750	weight (g)	55				
schematic diagram		*) in air					
		design includes CCD cover glass: no					
		SF (mm)	27.8	f-stop		$\varnothing$ EnP	$\varnothing$ Exp
		S'F' (mm) *	-36.6				
		HH' (mm) *	4.1				
		SH (mm)	-1.5				
		S'H' (mm) *	-7.3				
		SEnP (mm)					
S'Exp (mm) *)							

<b>NX</b> PROTECTIVE NOTE "DIN ISO 16016" TO BE OBSERVED	EU-D	AL-T1A	US-D	US-ML	not export controlled		
	REV	ECC	DATE	APPROVED	GENERAL TOLERANCE OF DIMENSION, FORM, POS.	SURF. TREATMT	SCALE
	d	14-0184	21.08.14	Schiffe			MATERIAL
					BASIC TOLERANCING PRINCIPLE	TITLE	
				FIRST ISSUE	DATE	NAME	<b>Macro-CCD-Lens 0.5x</b>
				21.08.14	Schifferer		
				CHKD	21.08.14	Stauder	
<b>DIN A 4</b>	ALL DIMENSIONS ARE IN MM AND INCLUDE SURFACE TREATMENT					DRAWING NO. <b>0009-191-100-00-0001d</b>	SHEET 1 OF 1
	REPLACES						