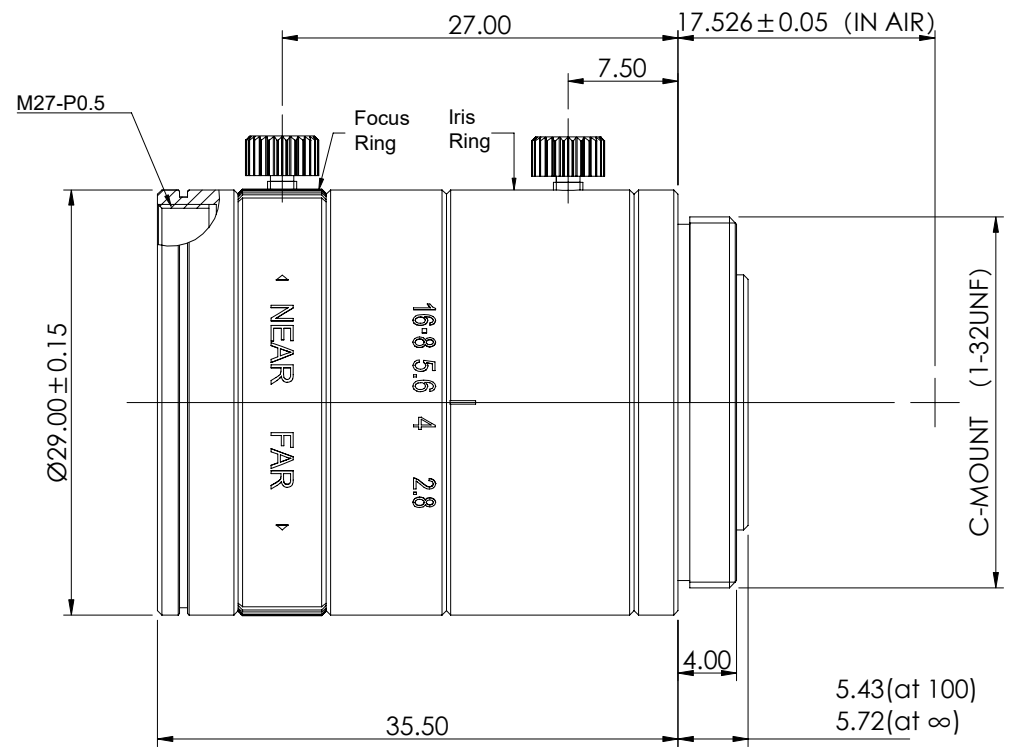


A		B	C	D
Optical Specification				
Model	OPT-COB1228-V2.0			
Focal Length(mm)	12			
Sensor	1/1.8"			
Resolution	2.2μm			
Adjustion Type	Manual			
Aperture	F2.8-F16			
Working Distance(mm)	100~∞			
Mag. at MOD	0.101X at WD100			
TV Distortion	<0.16% at WD300			
Back Facal Length (mm)	14.00 at WD100			
	12.76 at Infinity			
Chief Ray Angle	< 5°			
Mount	C Mount			
Filter	M27×P0.5			
Size	∅29.00×35.50			
Weight	58g			
Working Temperature	-20°C~60°C			



View Angle		Remark	Item	Signature	Date	 OPT Machine Vision Co., Ltd.
Standard Difference			Drawing			
Copyright © 2020 by OPT All Rights Reserved	IT14		Design			
			Check			
			Approve			
Drawing Code			Paper Size	A4		
			Revised Date	2020-5-23	Scale	


OPT-COB1228-V2.0									
Page	1/1 Total Page	Version	A01						