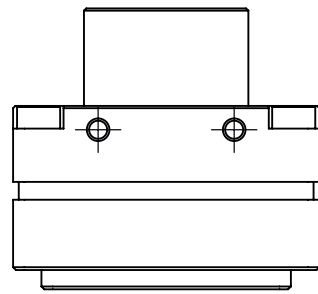
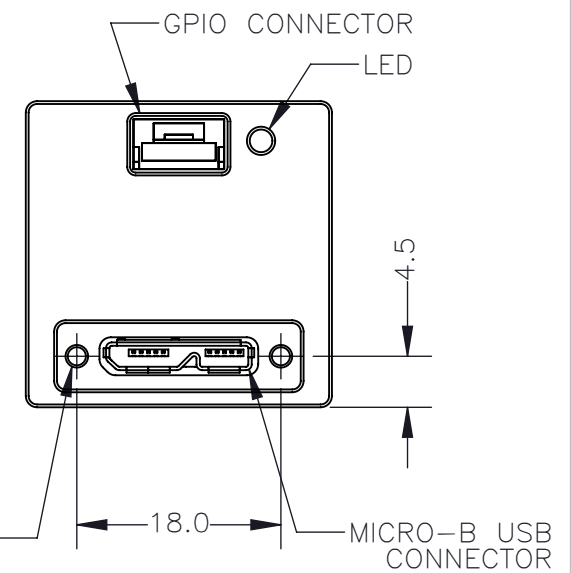
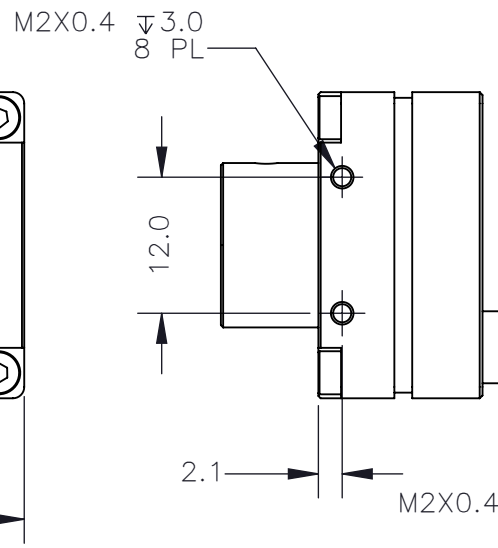
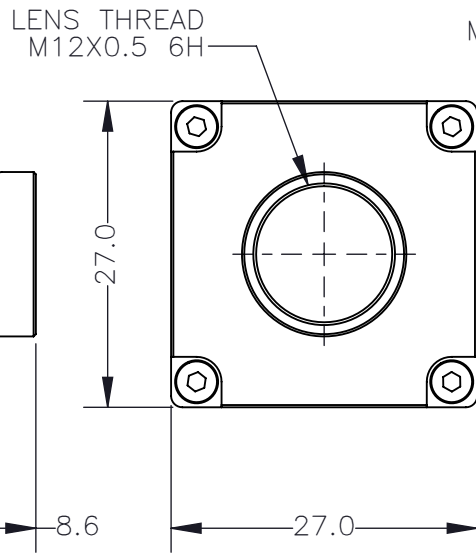
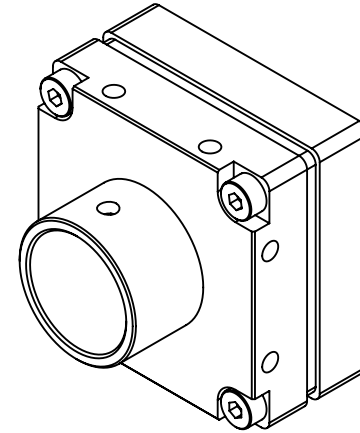
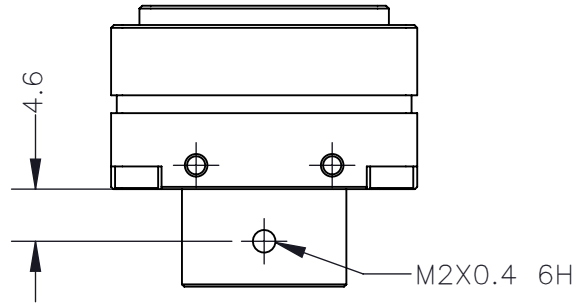
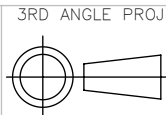


REVISIONS

REV.	DESCRIPTION	DATE DONE	DONE BY	CHECKED BY
0	INITIAL RELEASE	18.APR.19	DANIEL	GUS



PROPRIETARY AND CONFIDENTIAL
THE INFORMATION CONTAINED IN THIS DRAWING IS
THE SOLE PROPERTY OF FLIR INTEGRATED IMAGING
SOLUTIONS. ANY REPRODUCTION IN PART OR
WHOLE WITHOUT THE WRITTEN PERMISSION OF FLIR
INTEGRATED IMAGING SOLUTIONS IS PROHIBITED.

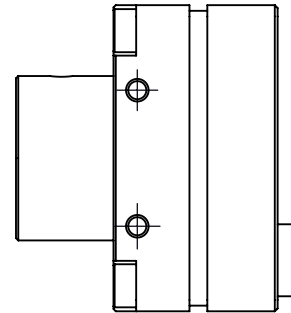
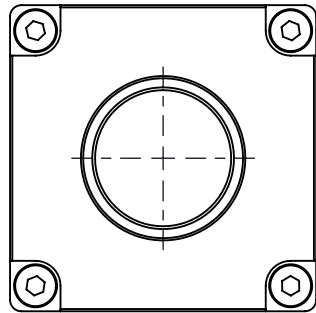
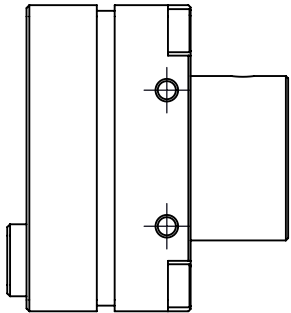
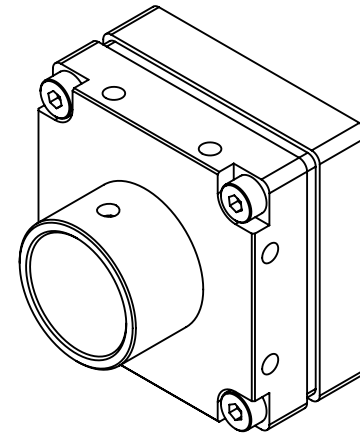
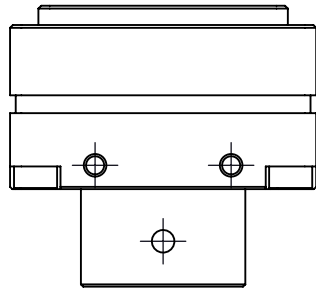


TOLERANCES
X.X ±0.3
X.XX ±0.10
X.XXX ±0.020
ANGLES ±0.5°

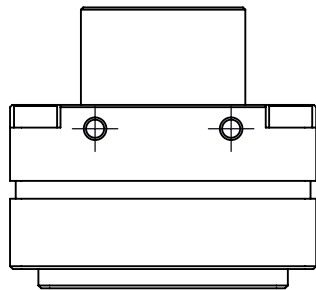
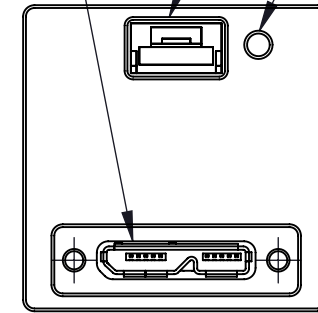
UNLESS OTHERWISE
STATED:
ALL DIMENSIONS IN MM
MACHINE FINISH 1.6µM

SCALE DWG NO
1:1 FFY-U3-50-R0
SIZE TITLE
A FFY-U3

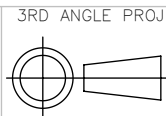
SHEET REV
1 OF 3 0



USB CONNECTOR
GPIO CONNECTOR
LED



PROPRIETARY AND CONFIDENTIAL
THE INFORMATION CONTAINED IN THIS DRAWING IS
THE SOLE PROPERTY OF FLIR INTEGRATED IMAGING
SOLUTIONS. ANY REPRODUCTION IN PART OR
WHOLE WITHOUT THE WRITTEN PERMISSION OF FLIR
INTEGRATED IMAGING SOLUTIONS IS PROHIBITED.

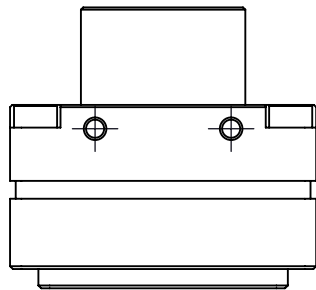
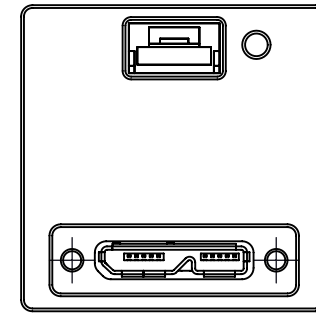
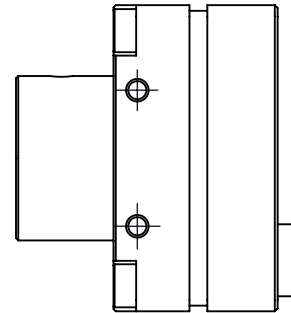
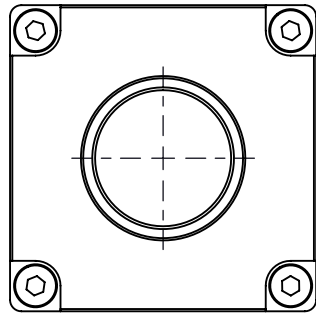
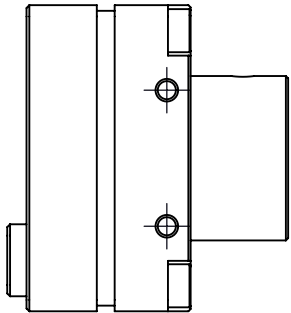
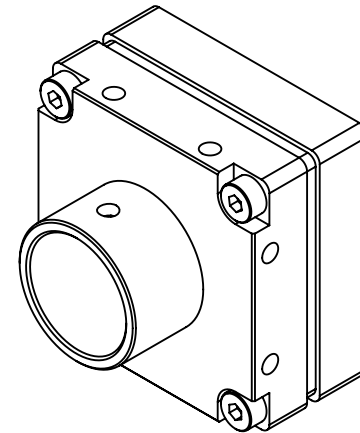
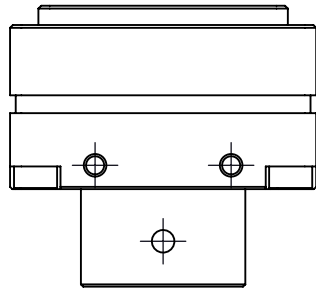


TOLERANCES
X.X ±0.3
X.XX ±0.10
X.XXX ±0.020
ANGLES ±0.5°

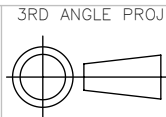
UNLESS OTHERWISE
STATED:
ALL DIMENSIONS IN MM
MACHINE FINISH 1.6µM

SCALE DWG NO
1:1 FFY-U3-50-R0
SIZE TITLE
A FFY-U3

SHEET REV
2 OF 3 0



PROPRIETARY AND CONFIDENTIAL
 THE INFORMATION CONTAINED IN THIS DRAWING IS
 THE SOLE PROPERTY OF FLIR INTEGRATED IMAGING
 SOLUTIONS. ANY REPRODUCTION IN PART OR
 WHOLE WITHOUT THE WRITTEN PERMISSION OF FLIR
 INTEGRATED IMAGING SOLUTIONS IS PROHIBITED.



TOLERANCES
 X.X ±0.3
 X.XX ±0.10
 X.XXX ±0.020
 ANGLES ±0.5°

UNLESS OTHERWISE
 STATED:
 ALL DIMENSIONS IN MM
 MACHINE FINISH 1.6µM

SCALE DWG NO
 1:1 FFY-U3-50-R0
 SIZE TITLE
 A FFY-U3

SHEET REV
 3 OF 3 0